

# MIS2ION™

Owner's Manual





En	Owner's Manual	P04
F	Manuel utilisateur	P18
Es	Instrucciones de usuario	P33
<b>KR172 KR172.A KR173 KR174</b>		

**⚠ WARNING: Some dust created by power sanding, sawing, grinding, drilling and other construction activities contains chemicals known to the State of California to cause cancer, birth defects or other reproductive harm. Some examples of these chemicals are:**

- **Lead from lead-based paints;**
- **Crystalline silica from bricks and cement and other masonry products;**
- **Arsenic and chromium from chemically-treated lumber.**

**Your risk from these exposures varies, depending on how often you do this type of work. To reduce your exposure to these chemicals: work in a well ventilated area, and work with approved safety equipment, such as those dust masks that are specially designed to filter out microscopic particles.**

**⚠ WARNING: This product can expose you to chemicals including lead and Di(2-ethylhexyl)phthalate (DEHP) which are known to the State of California to cause cancer and birth defects or other reproductive harm. For more information go to [www.P65Warnings.ca.gov](http://www.P65Warnings.ca.gov).**

4

EN

**⚠ WARNING: Read all safety warnings and all instructions.** *Failure to follow the warnings and instructions may result in electric shock, fire and/or serious injury.*

**Carefully read the instructions for the safe operation of the machine.**

**Save all warnings and instructions for future reference.**

- This appliance is not intended for use by persons (including children) with reduced physical, sensory or mental capabilities, or lack of experience and knowledge, unless they have been given supervision or instruction concerning use of the appliance by a person responsible for their safety.
- Children should be supervised to ensure that they do not play with the appliance.  
WARNING: For the purposes of recharging the battery, only use the detachable supply unit provided with this appliance.

**IMPORTANT  
READ CAREFULLY BEFORE USE  
KEEP FOR FUTURE REFERENCE**

**Safe operation practices  
Training**

- a) Read the instructions carefully. Make sure you understand the instructions and be familiar with the controls and the proper use of the appliance.
- b) Never allow people unfamiliar with these instructions or children to use the appliance. Local regulations can restrict the age of the operator.
- c) The operator or user is responsible for accidents or hazards occurring to other people or their property.

## **Preparation**

- a) Confirm that the virtual boundary is established as instructed and the virtual boundary is regularly maintained. Before each working cycle, the machine goes around the working area to check whether the virtual boundary exists, if it does not exist, the machine will shut down. The virtual boundary specifies the work area where the machine is allowed to operate. The RTK antenna in the machine senses when it is approaching the virtual boundary. When the machine hits an obstacle or approaches the virtual boundary the product selects a new direction.
- b) Periodically inspect the area where the appliance is to be used and remove all stones, sticks, wires, bones, and other foreign objects.
- c) Periodically visually inspect to see that the blades, blade bolts and cutter assembly are not worn or damaged. Replace worn or damaged blades and bolts in sets to preserve balance.
- d) On multi-spindle appliances, take care as rotating one blade can cause other blades to rotate.
- e) **WARNING!** The lawnmower shall not be operated without the guard in place.

## **Operation**

### **1. General**

- a) Never operate the appliance with defective guards, or without safety devices, for example deflectors, in place.
- b) Do not put hands or feet near or under rotating parts. Keep clear of the discharge opening at all times.
- c) Never pick up or carry an appliance while the motor is running.
- d) Operate the disabling device from the appliance:
  - Before clearing a blockage;
  - Before checking, cleaning or working on the appliance;

- After striking a foreign object to inspect the machine for damage;
- If the machine starts to vibrate abnormally, and to check for damage before restarting.
- e) It is not permitted to modify the original design of robotic lawnmower. All modifications are made at your own risk.
- f) Start robotic lawnmower according to the instructions. When the power is on, make sure you keep your hands and feet away from the rotating blades. Never put your hands and feet under the mower.
- g) Never lift up robotic lawnmower or carry it when the power is on.
- h) Do not let persons who do not know how robotic lawnmower works and behaves use the mower.
- i) Do not put anything on top of robotic lawnmower or its charging base.
- j) Do not allow robotic lawnmower to be used with a defective blade disc or body. Neither should it be used with defective blades, screws, nuts or cables.
- k) Always switch off robotic lawnmower when you do not intend to use the mower. Robotic lawnmower can only start when the power is on and the correct PIN code has been entered.
- l) Keep your hands and feet away from the rotating blades. Never place your hands or feet close to or under the body when robotic lawnmower is in operation.
- m) To avoid using the machine and its peripherals in bad weather conditions especially when there is a risk of lightning.
- n) Not to touch moving hazardous parts before these have come to a complete stop.
- o) For machines used in public areas, that warning signs shall be placed around the working area of the machine. They shall show the substance of the following text:  
Warning! Automatic lawnmower! Keep away from the machine! Supervise children!

## 2. Additionally when the appliance is operating automatically

- a) Do not leave the machine to operate unattended if you know that there are pets, children or people in the vicinity.

### Maintenance and storage



**WARNING! When the mower is turned upside down the power must always be off. The power should be off during all work on the mower's underframe, such as cleaning**

### or replacing the blades.

- a) Keep all nuts, bolts and screws tight to be sure the appliance is in safe working condition.
- b) Inspect the robotic lawnmower each week and replace worn or damaged parts for safety.
- c) Check especially that the blades and blade disc are not damaged. Replace all blades and screws at the same time if necessary so that the rotating parts are balanced.
- d) Ensure that only replacement cutting means of the right type are used.
- e) Ensure that batteries are charged using the correct charger recommended by the manufacturer. Incorrect use may result in electric shock, overheating or leakage of corrosive liquid from the battery.
- f) In the event of leakage of electrolyte flush with water/neutralizing agent, seek medical help if it comes into contact with the eyes etc.
- g) Servicing of the appliance should be according to manufacturers' instructions.

### Recommendation

To connect the machine and/or its peripherals only to a supply circuit protected by a residual current device (RCD) with a tripping current of not more than 30 mA.

### Residual risks

To avoid injuries, wear protective gloves when replacing the blades.

### Transport

The original packaging should be used when transporting robotic lawnmower over long distances.

To safely move form or within the working area:

- a) Press the STOP button to stop the mower. You select the four digit PIN code when you start the mower for the first time.
- b) Always switch off robotic lawnmower if you intend to carry the mower.
- c) Carry the mower by the handle at the rear under the mower. Carry the mower with the blade disc away from the body.

### Safety Warnings for battery pack inside the tool

- a) Do not dismantle, open or shred battery pack.
- b) Do not expose battery pack to heat or fire. Avoid storage in direct sunlight.
- c) Do not short-circuit a battery pack. Do

not store battery packs haphazardly in a box or drawer where they may short-circuit each other or be short-circuited by other metal objects. When battery pack is not in use, keep it away from other metal objects, like paper clips, coins, keys, nails, screws or other small metal objects, that can make a connection from one terminal to another. Shorting the battery terminals together may cause burns or fire.

- d) Do not subject battery pack to mechanical shock.
- e) In the event of battery leaking, do not allow the liquid to come in contact with the skin or eyes. If contact has been made, wash the affected area with copious amounts of water and seek medical advice.
- f) Do not use any battery pack which is not designed for use with the equipment.
- g) Keep battery pack out of the reach of children.
- h) Always purchase the battery pack recommended by the device manufacturer for the equipment.
- i) Keep battery pack clean and dry.
- j) Wipe the charging terminals with a clean dry cloth if they become dirty.
- k) Battery pack need to be charged before use. Always use the correct charger and refer to the manufacturer's instructions or equipment manual for proper charging instructions.
- l) Do not leave battery pack on prolonged charge when not in use.
- m) Recharge only with the charger specified by Kress. Do not use any charger other than that specifically provided for use with the equipment.
- n) Retain the original product literature for future reference.
- o) Use only the battery pack in the application for which it was intended.
- p) Dispose of properly.
- q) Do not mix cells of different manufacture, capacity, size or type within a device.
- r) Keep the battery away from microwaves and high pressure.

### **User manual requirements for wireless product**

- a) This device complies with part 15 of the FCC Rules. Operation is subject to the following two conditions:
  - (1) This device may not cause harmful interference, and

(2) this device must accept any interference received, including interference that may cause undesired operation.

- b) **Caution: Changes or modifications to this unit not expressly approved by the party responsible for compliance could void the user's authority to operate the equipment.**
- c) This device contains licence-exempt transmitter(s)/receiver(s) that comply with Innovation, Science and Economic Development Canada's licence-exempt RSS(s). Operation is subject to the following two conditions:
  - (1) This device may not cause interference.
  - (2) This device must accept any interference, including interference that may cause undesired operation of the device.
- d) **NOTE:** This equipment has been tested and found to comply with the limits for a Class B digital device, pursuant to part 15 of the FCC Rules. These limits are designed to provide reasonable protection against harmful interference in a residential installation. This equipment generates, uses and can radiate radio frequency energy and, if not installed and used in accordance with the instructions, may cause harmful interference to radio communications. However, there is no guarantee that interference will not occur in a particular installation. If this equipment does cause harmful interference to radio or television reception, which can be determined by turning the equipment off and on, the user is encouraged to try to correct the interference by one or more of the following measures:
  - Reorient or relocate the receiving antenna.
  - Increase the separation between the equipment and receiver.
  - Connect the equipment into an outlet on a circuit different from that to which the receiver is connected.
  - Consult the dealer or an experienced radio/TV technician for help.

# Symbols



WARNING – robotic lawnmower can be dangerous if incorrectly used. Read through the Operator’s manual carefully and understand the content before using your robotic lawnmower.



WARNING - Keep a safe distance from the machine when operating.



WARNING – Activate the disabling device before working on or lifting the machine.



WARNING – Do not ride on the machine.



Class III appliance



Li-Ion battery, battery must be recycled.



Do not burn.



Batteries may enter water cycle if disposed improperly, which can be hazardous for ecosystem. Do not dispose of waste batteries as unsorted municipal waste.



Do not wash the machine with a high pressure washer



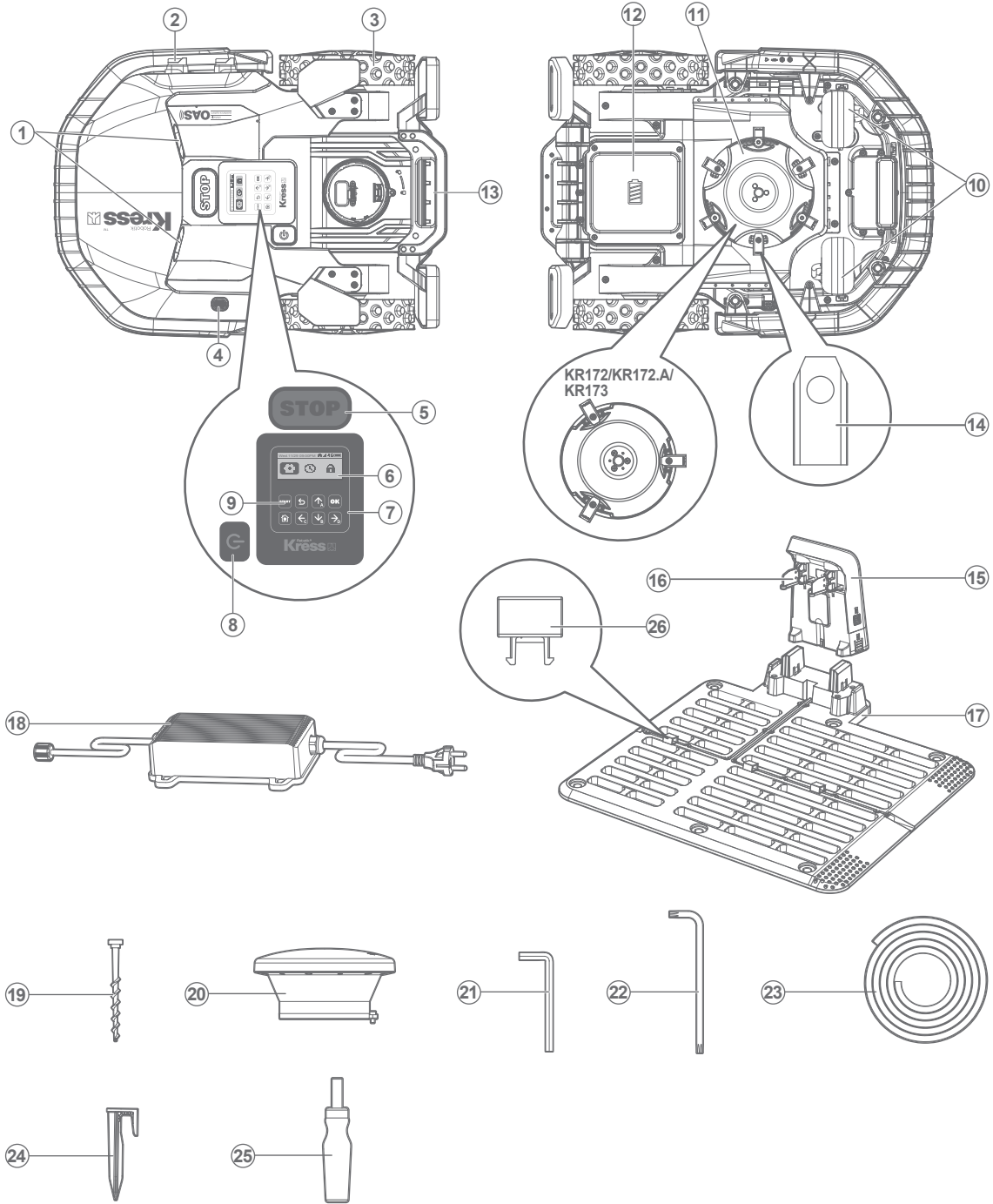
Prohibit disassembling the machine without authorization.



**call2recycle**

POSITEC Inc. has established a partnership with the RBRC Corporation to recycle any Positec batteries with the RBRC-call2recycle seal. For environmental protection, please do not discard batteries in the trash. After the batteries' life cycle is ended, then please call 1-800-822-8837 for a free service that will properly dispose of the battery.

# Component list





1. Ultrasonic sensor (Only for KR172.A, KR173, KR174)
2. Charging Strips
3. Rear Driving Wheel
4. Rain Sensor
5. STOP Button
6. Display
7. Keypad
8. ON/OFF Key
9. START Key
10. Front Wheel
11. Blade Turning Disc
12. Battery Pack\*
13. Handle
14. Cutting Blade
15. Charging Pile
16. Contact Pins
17. Charging Base
18. Power Adapter
19. Charging Base Fixing Nails
20. RTK Antenna
21. Hex Key
22. Wrench for RTK antenna
23. Magnetic Strip
24. Staples
25. Hexagon Screwdriver \* (Only for KR174)
26. Buckle

**\*Not all the accessories illustrated or described are included in standard delivery.**

## Technical data

Type **KR172 KR172.A KR173 KR174 (100-199 - designation of machinery, representative of Robotic Lawnmower)**

	KR172	KR172.A	KR173	KR174
Rated voltage	20V $\equiv$ Max.*			
No load speed	2700/min			2600/min
Cutting area	1/2 acre (2000m <sup>2</sup> )	3/4 acre (3000m <sup>2</sup> )		1 1/4 acre (5000m <sup>2</sup> )
Cutting diameter	7.87" (20cm)			8.66" (22cm)
Cutting height	1.57" – 3.54" (40mm-90mm)			
Cutting height positions	11			
Battery type	Lithium-ion			
Battery model	KA3024			KA3006
Charging time approx.	180 min	90 min		72 min
Charger model	KA3732	KA3733		KA3725
Charger rating	Input: 120V~60Hz, 38W, Output: 20V, 1.5A	Input: 120V~60Hz, 90W, Output: 20V, 3.0A		Input: 120V~60Hz, 190W, Output: 28V, 5.0A
Machinery weight	26.48 lbs (12 kg)	27.58 lbs (12.5 kg)		28.46 lbs (12.9 kg)
Protection degree	III			
App	Y			
Maximum slope within the work surface	40%			

\* Voltage measured at no load. Initial battery voltage reaches maximum of 20 volts. Nominal voltage is 18 volts.

# Technical Data For Antenna

Rated voltage	5V±2%		
Operating temperature	-40°C-85°C		
Storage temperature	-40°C-85°C		
Band	Tx(Mhz)	Rx(Mhz)	RF Output Power (Max)
WCDMA(B2)	1850-1910	1930-1990	25dBm
WCDMA(B4)	1710-1755	2110-2155	25dBm
WCDMA(B5)	824-849	869-894	25dBm
LTE-FDD B2	1850-1910	1930-1990	25dBm
LTE-FDD B4	1710-1755	2110-2155	25dBm
LTE-FDD B5	824-849	869-894	25dBm
LTE-FDD B12	699-716	729-746	25dBm
LTE-FDD B13	777-787	746-756	25dBm
LTE-FDD B14	788-798	758-768	25dBm
LTE-FDD B66	1710-1780	2110-2200	25dBm
LTE-FDD B71	663-698	617-652	25dBm

## Accessories

	KR172	KR172.A	KR173	KR174
Screw for fixing disk	/	/	/	3
Screw for fixing blades	9	9	9	18
Charging base	1	1	1	1
Charging base fixing nails	6	6	6	6
Hex key	1	1	1	1
Wrench for RTK antenna	1	1	1	1
Magnetic strip	1	1	1	1
Measurement gauge	2	2	2	2
Blade	9	9	9	18
RTK antenna	1	1	1	1
Staples	16	16	16	16
Hexagon screwdriver	/	/	/	1

Battery pack (KA3024 / KA3006)	1	1	1	1
Charger (KA3732)	1	1	/	/
Charger (KA3733)	/	/	1	/
Charger (KA3725)	/	/	/	1

We recommend that you purchase genuine accessories listed in the above list from the same store that sold you the tool. Refer to the accessory packaging for further details. Store personnel can assist you and offer advice.

## Intended Use

The garden product is intended for domestic lawn mowing. It is designed to mow often, maintaining a healthier and better looking lawn than ever before. Depending on the size of your lawn, Mission™ RTK<sup>n</sup> may be programmed to operate at any time or frequency. It is not intended for digging, sweeping or snow cleaning.

## Maintenance

Your Mission™ RTK<sup>n</sup> works hard and needs to be cleaned and checked from time to time. Some parts will require replacement as they become worn. Never use your Mission™ RTK<sup>n</sup> with defective on/off switch. Switch off the machine before carrying out any service or maintenance. Here's how to take care of your Mission™ RTK<sup>n</sup>.

# 1

## Keep it Sharp

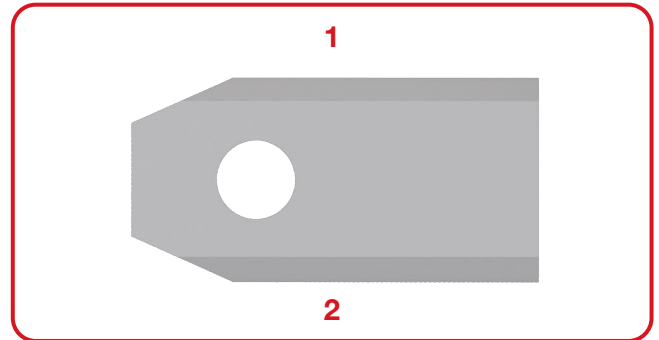


**WARNING:** Before cleaning, adjusting, or replacing the blades, turn your Mission™ RTK<sup>n</sup> OFF and put on protective gloves.



**WARNING:** When fitting new blades, make sure you replace ALL the blades. Always use new screws when fitting blades. This is important to ensure blade retention and balance the blade turning disc. Failure to use new screws could cause serious injury.

The Mission™ RTK<sup>n</sup> does not cut grass like other mowers. Its cutting blades are razor sharp on 2 edges and rotate in both directions for maximum cutting capacity. Redesigned blade profile better prevents grass clippings from getting caught in the gap between the disc and the blade. And with new material, the service life of each cutting blade will be longer than that of other brands' when it is programmed to mow every day. Always check to see if the blades are chipped or damaged and replace them if they are. When the cutting blades are dull and worn out, they should be replaced with the spare blades provided with your Mission™ RTK<sup>n</sup>. Spare blades are also available at your nearest Kress retailer.



### A. Replace the blades

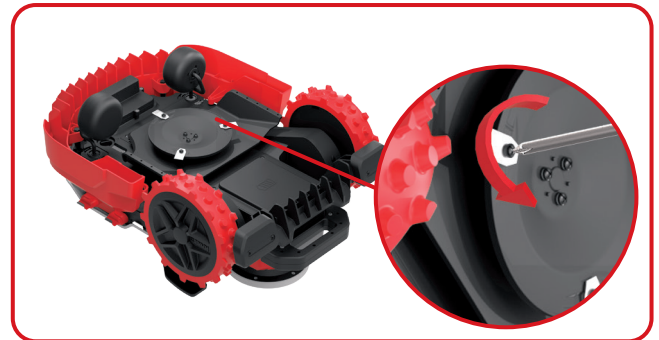
Usually your Mission™ RTK<sup>n</sup>'s blades need to be reversed each month and replaced every week, you can adjust the frequency of replacing the blade according to the cutting quality of the lawn. When replacing the blades, make sure to replace all of them at the same time. You can replace them with one of the spare blade kits and extra blade screws supplied with your Mission™ RTK<sup>n</sup>.

12

EN

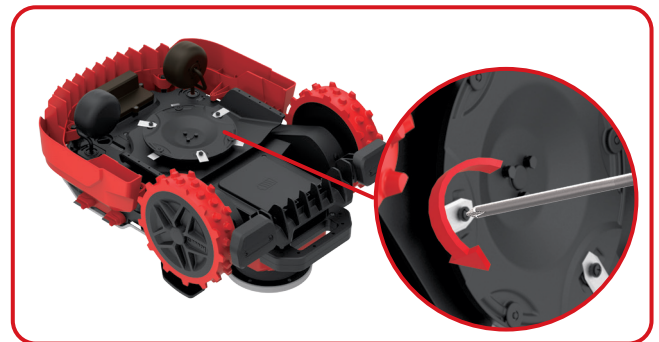
Before attempting to replace your Mission™ RTK<sup>n</sup>'s blades, turn the power off and put on protective gloves and follow these steps:

1. Gently flip the Mission™ RTK<sup>n</sup> over.
2. Remove the battery cover and remove the battery.
3. Take the screws off the blades with a screwdriver.
4. Firmly screw on the new blades.
5. Refit the battery and the battery cover.



If your Mission™ RTK<sup>n</sup> has dual-layer blades, follow these steps to replace:

1. Turn off and gently flip the Mission™ RTK<sup>n</sup> over.
2. Remove the battery cover and remove the battery.
3. Take the 3 screws for fixing disk off with a hexagon screwdriver.
4. Remove the disk.
5. Take the 6 screws for fixing blades off with a screwdriver and remove the blades.
6. Firmly screw on the new blades and new screws for fixing blades.
7. Refit and firmly screw on the disk on the underside of Mission™ RTK<sup>n</sup>.
8. Refit the battery and the battery cover.



**Important:** After screwing the blade to the blade disc, make sure the blade is able to spin freely.

# 2

## Keep it Clean



**WARNING:** Before cleaning, turn your Mission™ RTK<sup>n</sup> OFF. Put on protective gloves before cleaning the blade turning disc and do not rinse or flush with water.



**WARNING!** YOUR Mission™ RTK<sup>n</sup> can only be washed by using a hose! DO NOT use high pressure washer on your Mission™ RTK<sup>n</sup>. High pressure water can go inside the sealings and damage electronic and mechanical parts.

### A. Cleaning the Body

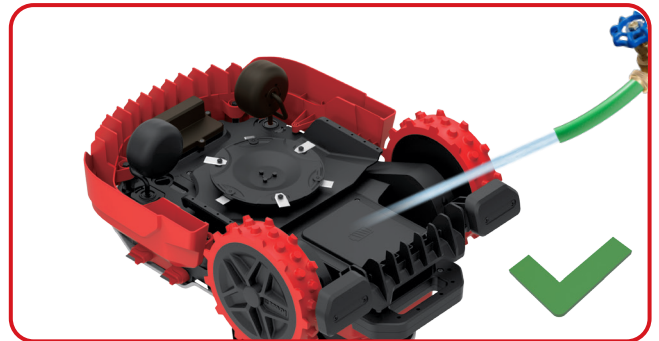
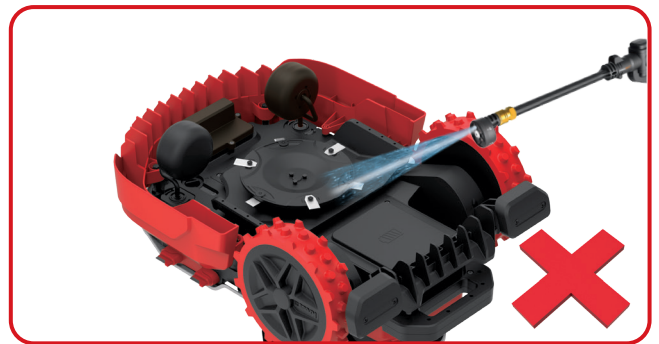
Your Mission™ RTK<sup>n</sup> will live a much happier and longer life if it is cleaned regularly. Since your Mission™ RTK<sup>n</sup> is an electric machine, you will need to take care when cleaning. Hose water clean is supported. It is best to use a spray bottle filled with water. When cleaning the machine body, use a soft brush or clean cloth and avoid using solvents or polishes. Lastly, remove all build up of grass clippings and debris.

### B. Cleaning the underside

Again, it is important that you power the Mission™ RTK<sup>n</sup> OFF and **wear protective gloves before touching the blade turning disc**. First, flip your Mission™ RTK<sup>n</sup> upside down to expose its underside. Here you will see the blade disc, the chassis, and the front wheel and driving wheels. Clean everything thoroughly with a soft brush or moist rag. Hose water clean is supported.

Rotate the blade disc to ensure it rotates freely. Check the blades spin freely around the fixing screws. Remove any obstructions.

**IMPORTANT:** Remove any stuck debris so that it does not cause a crack in the blade disc. Even the tiniest crack can decrease your Mission™ RTK<sup>n</sup>'s mowing output.



### C. Clean the contact pins and the charging strips

Clean the contact pins located on the charging base and the charging strips located on the Mission™ RTK<sup>n</sup> using a cloth. Remove any built up grass clippings or debris around the contact pins and charge strips periodically to ensure the Mission™ RTK<sup>n</sup> successfully charges each time.

# 3

## Battery Life

The heart of the Mission™ RTK<sup>n</sup> is its 20V Li-Ion Battery. For proper storage of the battery, make sure it is fully charged and kept in a cool dry place between (-20°C~+60°C).

**NOTE:** The recommend Mission™ RTK<sup>n</sup> operation temperature is between 0-55°C.

The life-span of the Mission™ RTK<sup>n</sup>'s battery depends on various factors, such as:

- The length of the mowing season in your region
- Amount of hours the Mission™ RTK<sup>n</sup> mows per day
- Battery maintenance during storage

Mission™ RTK<sup>n</sup> can be charged manually.

1. Connect the charging base to a suitable power supply. The green light on the charging base will turn on.
2. Manually dock the Mission™ RTK<sup>n</sup> into the charging base while the Mission™ RTK<sup>n</sup> is powered off.
3. The green light on the charging base will be flashing and Mission™ RTK<sup>n</sup> will begin to charge.



# 4

## Winter Hibernation

Your Mission™ RTK<sup>n</sup> will live longer and healthier if it is allowed to hibernate. So even though it is tough, we recommend storing your Mission™ RTK<sup>n</sup> in your shed or garage during the winter.

Before you prepare your Mission™ RTK<sup>n</sup> for winter hibernation, we recommend you:

- Thoroughly clean your Mission™ RTK<sup>n</sup>
- Fully charge the battery
- Turn the power off

To maximize the battery life, fully charge the battery before storage during winter.

**!** **WARNING: Protect the underside of Mission™ RTK<sup>n</sup> from water. NEVER store Mission™ RTK<sup>n</sup> upside down outdoors.**

**NOTE:** When bringing the Mission™ RTK<sup>n</sup> back to work after winter hibernation, make sure the charging strips and contact pins are clean. We recommend using a fine grade emery cloth to clean the contacts. Using the app, make sure the date and time are correct and send Mission™ RTK<sup>n</sup> back to what it loves doing: mowing.

# 5

## Replacing the battery

**!** **WARNING: Power off before attempting any adjustment, replacement or repair.**

**Before replacing the blades, turn your Mission™ RTK<sup>n</sup> OFF and put on protective gloves.**

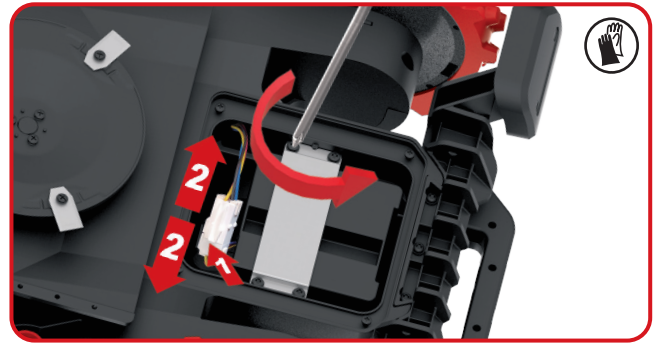
If you need to replace the battery, follow these steps: (Only for KR172 & KR172.A & KR173)

1. Gently turn your Mission™ RTK<sup>n</sup> upside down.
2. Remove the screws on the battery cover.  
Remove the battery cover.

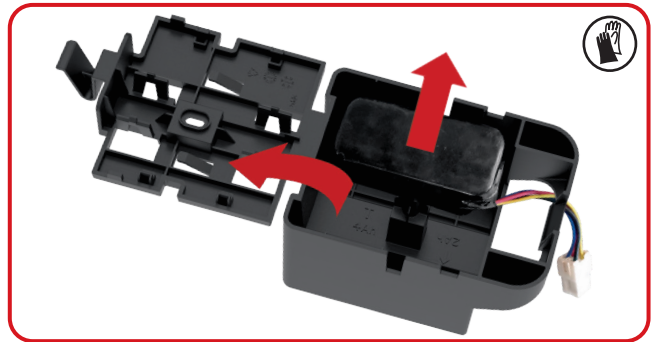


3. Remove the screws on the sheet metal.  
Remove the sheet metal.
4. Press the latch and release the connectors as the picture shown. Lift out the battery box carefully.

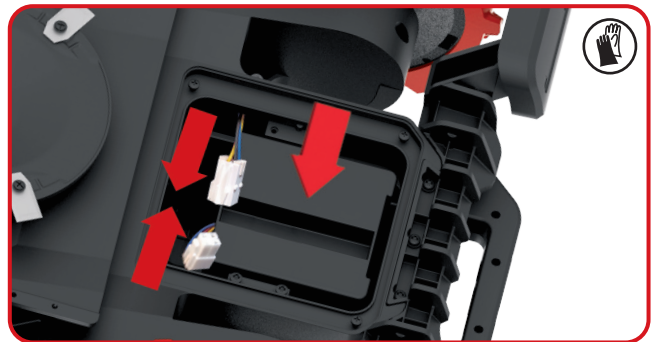
**NOTE:** Do not pull by the cables. Hold the connectors and release the latch.



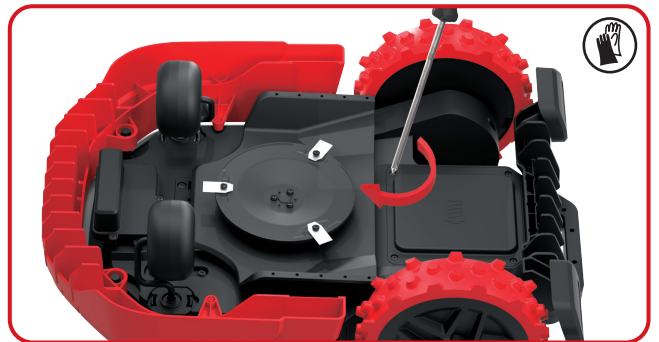
5. Open the battery box then lift out the battery carefully. Replace the old battery with the new one.



6. Put the battery box back in its position and plug the connectors. Refit the sheet metal.

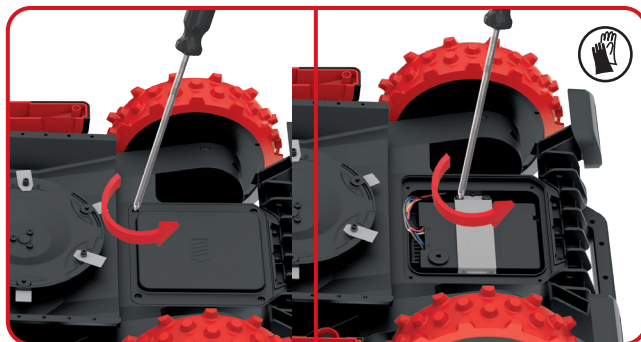


7. Place the cover back in its position and tighten the screws.

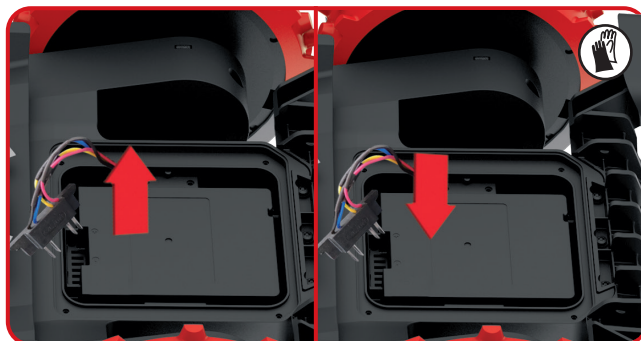


If you need to replace the battery, follow these steps: (Only for KR174)

1. Gently turn your Mission™ RTK<sup>n</sup> upside down.
2. Remove the screws on the battery cover.  
Remove the battery cover.
3. Remove the screws on the sheet metal.  
Remove the sheet metal.



4. Unplug the connector. Replace the old battery with the new one. Then plug the connector.



5. Refit the sheet metal. Place the cover back in its position and tighten the screws.





# Troubleshooting

If your Mission™ RTK<sup>n</sup> does not work correctly, follow the trouble shooting guide below. If the fault persists, contact your dealer.

Symptom	Cause	Solution
The LED light on the charging base does not turn on.	There is no power.	Check the charging base is connected properly to the charger and the charger is connected to a suitable power supply.
Mission™ RTK <sup>n</sup> cannot correctly dock with the charging base.	The magnetic strip is placed in the wrong direction.	Check if the magnetic strip is placed in the wrong direction. When correctly placed, the green stripe of the magnetic strip is facing away from the charging base.
Machine runs out of power but does not return to charging base.	No virtual charging base is mapped.	Rebuild the map and add the virtual charging base.
	The length of the magnetic strip is less than 8.2' (2.5 m).	The length of the magnetic strip should be guaranteed to be greater than 8.2' (2.5 m).
When Mission™ RTK <sup>n</sup> is going downhill, it overruns the boundary line.	The angle of the border line is very sharp.	Try to avoid layout scenarios with sharp angles.
After Mission™ RTK <sup>n</sup> is turned on, the start button is pressed, but Mission™ RTK <sup>n</sup> does not work.	Mission™ RTK <sup>n</sup> is outside the working area.	Move Mission™ RTK <sup>n</sup> inside the working area.
	Poor positioning signal	Find an open place, wait for the positioning signal light to turn green, and then press start button.
Mission™ RTK <sup>n</sup> does not give an alarm when it is outside the Geo fence.	The software of Mission™ RTK <sup>n</sup> itself is not the latest.	Update the software of the Mission™ RTK <sup>n</sup> .
	Mission™ RTK <sup>n</sup> is powered off.	Turn Mission™ RTK <sup>n</sup> on.
Mission™ RTK <sup>n</sup> is parked in the middle of the obstacle.	The obstacles around Mission™ RTK <sup>n</sup> are relatively small, and Mission™ RTK <sup>n</sup> fails to get out of trouble.	Set the area where Mission™ RTK <sup>n</sup> is easily trapped as No-Go.
	The sensor of Mission™ RTK <sup>n</sup> is abnormal	Detect Mission™ RTK <sup>n</sup> 's diagnostic page on the APP and check the sensor status.
Unable to read log	The format of U-disk is not <b>FAT32</b> .	Convert the format of U-disk to <b>FAT32</b> .
Mission™ RTK <sup>n</sup> is parked around the wall and cannot be started, and the positioning light is always on red.	Mission™ RTK <sup>n</sup> works in the shaded area for too long, triggering the safety protection.	Try to avoid letting Mission™ RTK <sup>n</sup> mow in areas with too much shade.
	There are too many walls or trees in the area, blocking the positioning signal.	

**AVERTISSEMENT:** Certaines poussières créées par le ponçage, le sciage, le meulage, le perçage et autres activités de construction contiennent des produits chimiques reconnus par l'État de Californie comme pouvant causer le cancer, des anomalies congénitales ou d'autres problèmes de reproduction. Quelques exemples de ces produits chimiques:

- Le plomb provenant des peintures au plomb;
- La silice cristallisée provenant des briques et du ciment et d'autres produits de maçonnerie;
- L'arsenic et le chrome provenant du bois traité chimiquement.

Les risques que vous encourez résultant de ces expositions varient selon la fréquence à laquelle vous effectuez ce type de travail. Pour réduire votre exposition à ces produits chimiques : travailler dans un endroit bien ventilé, et porter un équipement de sécurité approprié tel que certains masques antipoussières qui sont spécialement conçus pour filtrer les particules microscopiques.

18  
F

**AVERTISSEMENT:** Ce dispositif peut vous exposer aux produits chimiques notamment le plomb et le di-phtalate (de 2-éthylhexyle) (DEHP) qui sont reconnus dans l'État de Californie comme causant des cancers et des anomalies congénitales ou d'autres anomalies de la reproduction. Pour en savoir plus, veuillez consulter le site [www.P65Warnings.ca.gov](http://www.P65Warnings.ca.gov).

**AVERTISSEMENT:** Veuillez lire toutes les consignes de sécurité et les instructions. *Le non-respect des avertissements et instructions peut entraîner un choc électrique, un incendie et/ou des blessures graves.*

**Lisez attentivement les instructions pour assurer le fonctionnement en toute sécurité de la machine.**

**Conservez tous les avertissements et les instructions pour une référence future.**

- Cet appareil n'est pas destiné à être utilisé par des personnes (y compris les enfants) dont les capacités physiques, sensorielles ou mentales sont réduites, sans expérience et/ou aux compétences insuffisantes, sauf si elles ont été encadrées concernant l'utilisation de l'appareil par une personne

responsable de leur sécurité.

- Les enfants doivent être surveillés pour s'assurer qu'ils ne jouent pas avec l'appareil.
- AVERTISSEMENT:** Aux fins de la recharge de la batterie, utilisez uniquement l'unité d'alimentation détachable fournie avec cet appareil.

## **IMPORTANT LISEZ ATTENTIVEMENT AVANT L'UTILISATION CONSERVEZ POUR UNE RÉFÉRENCE FUTURE**

### **Consignes de sécurité Formation**

- a) Lisez attentivement les instructions. Assurez-vous de bien comprendre les instructions et de vous familiariser avec les commandes et la bonne utilisation de l'appareil.
- b) Ne laissez jamais les personnes peu familières avec ces instructions ou les enfants utiliser l'appareil. Les réglementations locales peuvent limiter l'âge de l'opérateur.
- c) L'opérateur ou l'utilisateur est responsable des accidents ou dommages causés à d'autres personnes ou à leurs biens.

### **Préparations**

- a) Confirmez que le périmètre virtuel est établi conformément aux instructions et que le périmètre virtuel est régulièrement entretenu. Avant chaque cycle de travail, la machine fait le tour de la zone de travail pour vérifier si le périmètre virtuel existe, s'il n'existe pas, la machine s'arrête. La frontière virtuelle spécifie la zone de travail dans laquelle la machine est autorisée à opérer. L'antenne RTK de la machine détecte quand elle s'approche des limites virtuelles. Lorsque la machine rencontre un obstacle ou s'approche d'une limite virtuelle, elle sélectionne une nouvelle direction.
- b) Inspectez périodiquement la zone où l'appareil doit être utilisé et enlever toutes les pierres, bâtons, fils, os et autres objets étrangers.
- c) Inspectez visuellement de façon périodique pour voir si les lames, les boulons de lame et le carter de coupe ne sont pas usés ou endommagés. Remplacez les lames ou les boulons usés ou endommagés dans des ensembles pour préserver l'équilibre.
- d) Sur les appareils multibroches, sachez que la rotation d'une lame peut entraîner celle des

autres lames.

- e) **AVERTISSEMENT!** La tondeuse ne doit pas être utilisée sans l'installation adéquate de la garde.

## Fonctionnement

### 1. Généralités

- a) Ne jamais faire fonctionner l'appareil des gardes défectueuses ou sans dispositifs de sécurité, par exemple des déflecteurs, en place.
- b) Ne mettez pas les mains ou les pieds près ou sous les pièces rotatives. Restez à l'écart de l'ouverture de décharge à tout moment.
- c) Ne soulevez ou portez jamais un appareil pendant que le moteur est en marche.
- d) Faites fonctionner le dispositif de désactivation de l'appareil:
- Enlever l'objet à l'origine du blocage;
  - Contrôler, nettoyer ou travailler sur l'appareil;
  - Après avoir heurté un objet, vérifiez que la machine n'est pas endommagée;
  - Si la machine se met à vibrer anormalement, et vérifiez l'absence de dommages avant de redémarrer.
- e) Il n'est pas autorisé de modifier la conception originale de la tondeuse à gazon robot. Toutes les modifications sont effectuées à vos propres risques.
- f) Démarrez la tondeuse à gazon robot selon les instructions. Lorsque le bouton de mise sous tension est allumé, assurez-vous de garder vos mains et pieds éloignés des lames pivotantes. Ne mettez jamais vos mains et vos pieds sous la tondeuse.
- g) N'essayez jamais de soulever la tondeuse robot ou de la porter lorsque le bouton de mise sous tension est allumé.
- h) Ne laissez pas les personnes qui ont des connaissances réduites sur le fonctionnement et le comportement des tondeuses à gazon robot utiliser la tondeuse.
- i) Ne posez rien au-dessus de la tondeuse robot ou sa station de charge.
- j) N'autorisez pas l'utilisation de la tondeuse robot avec un disque de coupe ou un carter défectueux. Elle ne doit pas être utilisée avec des lames, vis, écrous ou câbles défectueux.
- k) Mettez toujours la tondeuse robot hors tension lorsque vous n'avez pas l'intention de l'utiliser. La tondeuse robot peut démarrer uniquement si le bouton de mise sous tension est allumé et le code PIN correct a été saisi.
- l) Maintenez vos mains et vos pieds éloignés des lames tournantes. Ne placez jamais vos mains ou vos pieds auprès du ou sous le

corps lorsque la tondeuse robotique est en marche.

- m) Évitez d'utiliser l'appareil et ses périphériques dans les conditions météorologiques mauvaises en particulier lorsqu'il existe des risques de foudre.
- n) Ne touchez pas les parties dangereuses en mouvement avant qu'elles ne se soient complètement arrêtées.
- o) Pour les machines utilisées dans les lieux publics, des panneaux d'avertissement doivent être placés autour de la zone de travail de la machine. Ils doivent contenir les éléments essentiels de texte suivant: Avertissement ! Tondeuse à gazon automatique ! Ne vous approchez pas de la machine ! Surveillez les enfants!

### 2. De plus lorsque l'appareil fonctionne automatiquement

- a) Ne laissez pas la machine fonctionner sans surveillance si vous savez que des animaux domestiques, des enfants ou des personnes se trouvent à proximité.

### Entretien et stockage



**AVERTISSEMENT! Lorsque la tondeuse est retournée, le bouton d'alimentation doit toujours être désactivé. Le bouton d'alimentation doit toujours être désactivé pendant tous les travaux sur le châssis de la tondeuse, comme le nettoyage ou le remplacement des lames.**

- a) Maintenez tous les écrous, boulons et vis bien serrés pour s'assurer que l'appareil est en bon état de marche.
- b) Inspectez la tondeuse à gazon robot chaque semaine et remplacez les pièces usées ou endommagées pour la sécurité.
- c) Assurez-vous particulièrement que les lames et le disque de coupe ne sont pas endommagés. Remplacez toutes les lames et les vis en même temps si nécessaire pour assurer le bon équilibre des pièces rotatives.
- d) Veiller à ce que seules les pièces de rechange du matériel de coupe de bonne qualité soient utilisées.
- e) S'assurez que les batteries sont chargées en utilisant le chargeur adéquat recommandé par le fabricant. La mauvaise utilisation peut entraîner un choc électrique, une surchauffe ou une fuite du liquide corrosif de la batterie.
- f) En cas de fuite d'électrolyte avec de l'eau /un agent de neutralisation, consultez un médecin en cas de contact avec les yeux etc.
- g) L'entretien de l'appareil devrait être effectué

selon les instructions du fabricant.

## Recommandation

Pour raccorder l'appareil et/ou ses périphériques uniquement à un circuit d'alimentation protégé par un courant différentiel résiduel (RCD) avec un courant de déclenchement qui ne dépasse pas 30mA.

## Dangers résiduels

Pour éviter les blessures, portez les gants de protection lors du remplacement des lames.

## Transport

L'emballage d'origine doit être utilisé lors du transport de la tondeuse robot sur de longues distances.

Pour se déplacer en toute sécurité dans la zone de travail:

- a) Appuyez sur le bouton STOP (ARRÊT) pour arrêter la tondeuse. Vous choisissez un code PIN à quatre chiffres quand vous démarrez la tondeuse pour la première fois.
- b) Mettez toujours la tondeuse robot hors tension si vous avez l'intention de la porter.
- c) Portez la tondeuse par la poignée située à l'arrière sous la tondeuse. Portez la tondeuse avec le disque de coupe éloigné de votre corps.

## Avertissements de sécurité pour le bloc de batterie à l'intérieur de l'outil

- a) **Ne pas démonter, ouvrir ou déchiqueter le bloc batterie.**
- b) **Ne pas exposer le bloc batterie à la chaleur ou au feu. Evitez de ranger la batterie dans un endroit exposé à la lumière directe du soleil.**
- c) **Ne pas court-circuiter une batterie. Ne stockez pas les blocs batterie en vrac dans une boîte ou un tiroir où ils peuvent se court-circuiter ou être court-circuités par d'autres objets métalliques.** Lorsque le bloc batterie n'est pas utilisé, conservez-le loin d'autres objets métalliques, tels que des trombones, des pièces de monnaie, des clés, des clous, des vis ou d'autres objets métalliques de petite taille, qui pourraient établir une connexion d'un terminal à l'autre. Le fait de créer un court-circuit entre les bornes de la batterie peut causer des brûlures ou des incendies.
- d) **Ne pas soumettre la batterie à des chocs mécaniques.**
- e) **En cas de fuite de la batterie, ne pas**

laisser le liquide entrer en contact avec la peau ou les yeux. Si un contact a été effectué, laver la zone touchée avec beaucoup d'eau et consulter un médecin.

- f) **Ne pas utiliser de batterie qui n'a pas été conçue pour être utilisée avec cet appareil.**
- g) **Maintenez la batterie hors de portée des enfants.**
- h) **Achetez toujours une batterie recommandée par le fabricant de l'appareil.**
- i) **Conservez le bloc batterie propre et sec.**
- j) **Essuyez les bornes de la batterie avec un chiffon propre et sec si elles deviennent sales.**
- k) **La batterie doit être chargée avant son utilisation. Utilisez toujours le chargeur adapté et reportez-vous aux instructions du fabricant ou au manuel de l'équipement pour suivre les instructions concernant la procédure de charge.**
- l) **Ne laissez pas le bloc batterie en charge prolongée lorsqu'il n'est pas utilisé.**
- m) **Rechargez le bloc batterie uniquement avec le chargeur spécifié par Kress. N'utilisez pas un chargeur autre que celui spécifiquement conçu pour être utilisé avec l'équipement.**
- n) **Conservez la documentation originale du produit pour référence ultérieure.**
- o) **Utilisez uniquement la batterie dans l'application pour laquelle elle a été prévue.**
- p) **Éliminez la batterie de façon adéquate.**
- q) **Ne pas mélanger des cellules de fabricants, de capacités, de tailles ou de type différents dans un appareil.**
- r) **N'exposez pas la batterie à des micro-ondes et de la haute pression.**

## Exigences relatives au manuel d'utilisation d'un produit sans fil

- a) **Ce dispositif est conforme à la partie 15 des règles du FCC. Son fonctionnement est soumis aux deux conditions suivantes: (1) Cet appareil ne doit pas causer d'interférences nuisibles, et (2) cet appareil doit accepter toute interférence reçue, y compris toute interférence pouvant entraîner un fonctionnement indésirable.**
- b) **AVERTISSEMENT: Les changements ou modifications de cet appareil non expressément approuvés par la partie responsable de la conformité pourraient**

annuler l'autorisation de l'utilisateur à faire fonctionner l'équipement.

c) Cet appareil contient un ou plusieurs émetteurs/récepteurs exemptés de licence qui sont conformes aux CNR d'Innovation, Sciences et Développement Économique Canada applicables aux appareils radio exempts de licence. Son fonctionnement est soumis aux deux conditions suivantes:

(1) Cet appareil ne doit pas causer d'interférences nuisibles.

(2) Cet appareil doit accepter toute interférence reçue, y compris toute interférence pouvant entraîner un fonctionnement indésirable.

d) **REMARQUE:** Cet équipement a été examiné et s'est avéré être conforme aux limites pour un dispositif numérique de la classe B, conformément à la partie 15 des règles du FCC. Ces limites sont conçues pour assurer la protection raisonnable contre une interférence dommageable dans une installation résidentielle. Cet équipement génère, utilise et peut émettre une énergie de fréquence radio et, s'il n'est pas installé et utilisé conformément aux instructions, il peut causer des interférences nuisibles aux communications radio. Cependant, il n'y a aucune garantie que l'interférence ne se produira pas dans une installation particulière. Si cet équipement cause une interférence dommageable à un radio ou à la réception d'émissions télévisées, laquelle peut être déterminée en allumant ou éteignant l'équipement, l'utilisateur est encouragé à essayer de corriger l'interférence par une ou plusieurs des mesures suivantes:

- Réorienter ou replacer l'antenne de réception.

- Augmenter la séparation entre l'équipement et le récepteur.

- Relier l'équipement dans une prise sur un circuit différent de celui auquel le récepteur est connecté.

- Consulter le revendeur ou un technicien expérimenté de radio/TV pour de l'aide.

# Symboles



AVERTISSEMENT – la tondeuse robot peut être dangereuse si elle est mal utilisée. Lisez attentivement le manuel de l'opérateur et assurez-vous de maîtriser le contenu avant d'utiliser votre tondeuse à gazon robot.



AVERTISSEMENT - Tenez-vous à une distance de sécurité de la machine lors de l'utilisation.



AVERTISSEMENT – Activez le dispositif de désactivation avant de travailler sur ou de soulever la machine.



AVERTISSEMENT – Ne montez pas sur la machine.



Appareil de catégorie III



Batterie Li-Ion, les batteries doivent être recyclées.

22

F



Ne pas jeter au feu.



Les batteries peuvent s'introduire dans le cycle de l'eau si elles sont éliminées de manière inappropriée, ce qui peut être dangereux pour l'écosystème. Ne pas éliminer les batteries usagées avec les déchets municipaux non triés.



Ne lavez pas la machine avec un nettoyeur haute pression.



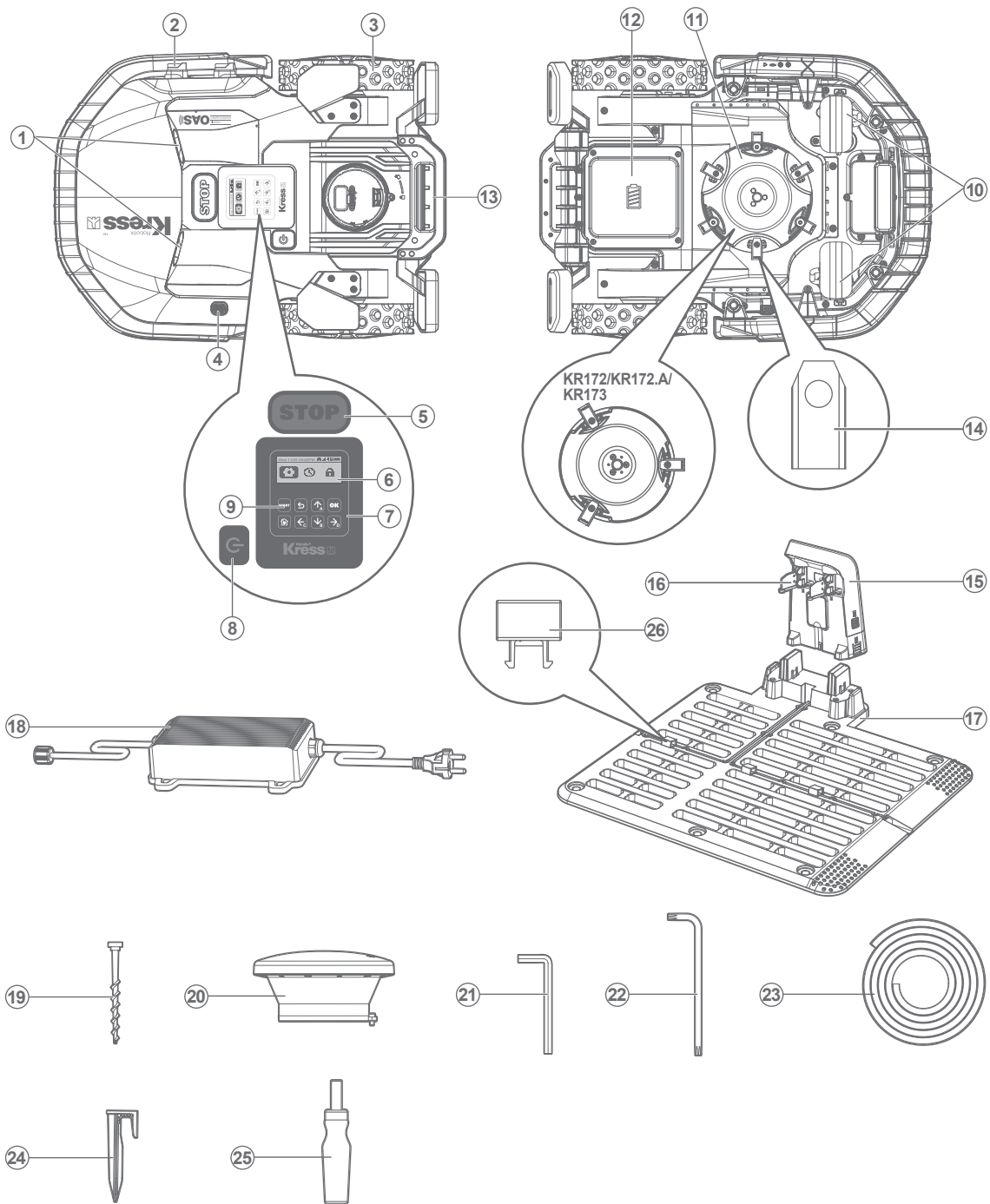
Interdiction de démonter la machine sans autorisation.



**call2recycle**

POSITEC Inc. a établi un partenariat avec la RBRC Corporation pour recycler toutes les batteries Positec avec le sceau RBRC-call2recycle. Pour protéger l'environnement, ne jetez pas les batteries dans la poubelle. À la fin du cycle de vie des batteries, appelez le 1.800-822-8837 pour un service gratuit qui vous débarrassera correctement de la batterie.

# Liste Des Éléments




- |  |   |
|--|---|
| 1. Capteur à ultrasons (seulement pour le KR172.A, KR173, KR174) | 14. Lame de coupe                                   |
| 2. Bandes de chargement  | 15. Batterie rechargeable                           |
| 3. Roue d'entraînement arrière                                   | 16. Broches de contact                              |
| 4. Détecteur de pluie  | 17. Station de recharge                             |
| 5. Bouton STOP   | 18. Adaptateur électrique                           |
| 6. Ecran   | 19. Vis de fixation de la station de recharge       |
| 7. Clavier   | 20. Antenne RTK                                     |
| 8. Bouton de mise sous/hors tension                              | 21. Clé à six pans                                  |
| 9. Bouton de démarrage   | 22. Clé pour l'antenne RTK                          |
| 10. Roue avant   | 23. Bandes magnétiques                              |
| 11. Disque de rotation de la lame                                | 24. Agrafes   |
| 12. Pack de batterie*  | 25. Tournevis hexagonal * (seulement pour le KR174) |
| 13. Poignée  | 26. Boucle  |

**\*Les accessoires illustrés ou décrits ne sont pas tous compris dans le cadre de la livraison standard.**

## Données Techniques

**24** Type **KR172 KR172.A KR173 KR174 (100-199 - description de la machine, modèle de tondeuse à**  
**F** **gazon robotisée)**

	KR172	KR172.A	KR173	KR174
Tension nominale	20V  Max.*			
Vitesse à vide	2700/min			2600/min
Zone de coupe en	2000m <sup>2</sup> (1/2 acre)	3000m <sup>2</sup> (3/4 acre)		5000m <sup>2</sup> (1 1/4 acre)
Diamètre de coupe en	20cm (7.87")			22cm (8.66")
Hauteur de coupe en	40mm-90mm (1.57" – 3.54")			
Positions de la hauteur de coupe	11			
Type de batterie	Lithium-ion			
Modèle de batterie	KA3024			KA3006
Temps de charge environ	180 min	90 min		72 min
Modèle de chargeur	KA3732	KA3733		KA3725
Indice du chargeur	Entrez: 120V~60Hz, 38W, Sortie: 20V, 1.5A	Entrez: 120V~60Hz, 90W, Sortie: 20V, 3.0A		Entrez: 120V~60Hz, 190W, Sortie: 28V, 5.0A
Poids de la machine	12 kg (26.48 lbs)	12.5 kg (27.58 lbs)		12.9 kg (28.46 lbs)
Degré de protection	III			
Application	Y			



Pente maximale dans la surface de travail	40%
---	-----

\* Tension mesurée à vide. La tension de batterie initiale atteint un maximum de 20 volts. La tension nominale est de 18 volts.

## Données Techniques Pour L'antenne

Tension nominale		5V±2%	
Température de fonctionnement		-40°C-85°C	
Température de stockage		-40°C-85°C	
Bande	Tx(Mhz)	Rx(Mhz)	Puissance de sortie RF (Max)
WCDMA(B2)	1850-1910	1930-1990	25dBm
WCDMA(B4)	1710-1755	2110-2155	25dBm
WCDMA(B5)	824-849	869-894	25dBm
LTE-FDD B2	1850-1910	1930-1990	25dBm
LTE-FDD B4	1710-1755	2110-2155	25dBm
LTE-FDD B5	824-849	869-894	25dBm
LTE-FDD B12	699-716	729-746	25dBm
LTE-FDD B13	777-787	746-756	25dBm
LTE-FDD B14	788-798	758-768	25dBm
LTE-FDD B66	1710-1780	2110-2200	25dBm
LTE-FDD B71	663-698	617-652	25dBm

25  
F

## Accessoires

	KR172	KR172.A	KR173	KR174
Vis pour fixer les disques	/	/	/	3
Vis pour fixer les lames	9	9	9	18
Station de recharge	1	1	1	1
Vis de fixation de la station de recharge	6	6	6	6
Clé à six pans	1	1	1	1
Clé pour l'antenne RTK	1	1	1	1
Bandes magnétiques	1	1	1	1

Jauge de mesure	2	2	2	2
Lame	9	9	9	18
Antenne RTK	1	1	1	1
Agrafes	16	16	16	16
Tournevis hexagonal	/	/	/	1
Pack de batterie (KA3021 / KA3024 / KA3006)	1	1	1	1
Chargeur (KA3732)	1	1	/	/
Chargeur (KA3733)	/	/	1	/
Chargeur (KA3725)	/	/	/	1

Nous vous recommandons d'acheter tous vos accessoires du même magasin qui vous a vendu l'outil. Pour de plus amples renseignements, consultez l'emballage de l'accessoire. Le personnel du magasin peut également vous conseiller.

## Utilisation Prévue

Ce produit est destiné à la tonte des pelouses domestiques. Il est conçu pour tondre souvent, pour obtenir une pelouse plus saine et plus belle que jamais. En fonction de la taille de votre pelouse, le Mission™ RTK<sup>n</sup> peut être programmé pour fonctionner à n'importe quelle heure ou fréquence. Il n'est pas conçu pour creuser, balayer ou déneiger.

26

## F Entretien

Votre Mission™ RTK<sup>n</sup> travaille dur et doit être nettoyé et vérifié de temps en temps. Certaines pièces doivent être remplacées lorsqu'elles sont usées. N'utilisez jamais votre Mission™ RTK<sup>n</sup> avec un interrupteur marche/arrêt défectueux.

Éteignez la machine avant d'effectuer tout réglage ou entretien.

Voici comment prendre soin de votre Mission™ RTK<sup>n</sup>.

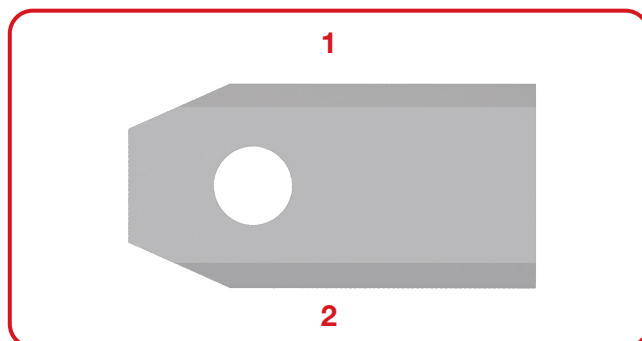
# 1

Gardez-le affûté

**AVERTISSEMENT:** Avant de nettoyer, régler ou remplacer les lames, éteignez votre Mission™ RTK<sup>n</sup> et portez des gants de protection.

**AVERTISSEMENT:** Lorsque vous installez de nouvelles lames, veillez à remplacer TOUTES les lames. Utilisez toujours des vis neuves lorsque vous montez des lames. Ceci est important pour assurer la fixation des lames et équilibrer le disque de rotation des lames. Si vous n'utilisez pas de nouvelles vis, vous risquez de vous blesser gravement.

Le Mission™ RTK<sup>n</sup> ne coupe pas l'herbe comme les autres tondeuses. Ses lames de coupe sont tranchantes comme des rasoirs sur 2 bords et tournent dans les deux sens pour une capacité de coupe maximale. Le profil spécial des lames empêche mieux les brins d'herbe de se coincer dans l'espace entre le disque et la lame. Et grâce au nouveau matériau, la durée de vie de chaque lame de coupe sera plus longue que celle des autres marques lorsqu'elle est programmée pour une tonte quotidienne. Vérifiez toujours si les lames sont ébréchées ou endommagées et remplacez-les si elles le sont. Lorsque les lames de coupes sont émoussées et usées, elles doivent être remplacées par les lames de rechange fournies avec votre Mission™ RTK<sup>n</sup>. Des lames de rechange sont également disponibles chez votre détaillant Kress le plus proche.

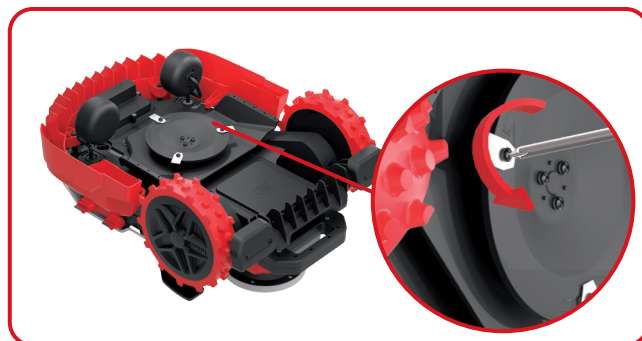


## A. Remplacer les lames

Habituellement, les lames de votre Mission™ RTK<sup>n</sup> doivent être inversées chaque mois et remplacées chaque semaine, vous pouvez ajuster la fréquence de remplacement des lames en fonction de la qualité de coupe de la pelouse. Lorsque vous remplacez les lames, veillez à les remplacer toutes en même temps. Vous pouvez les remplacer à l'aide de l'un des kits de lames de rechange et des vis de lame supplémentaires fournis avec votre Mission™ RTK<sup>n</sup>.

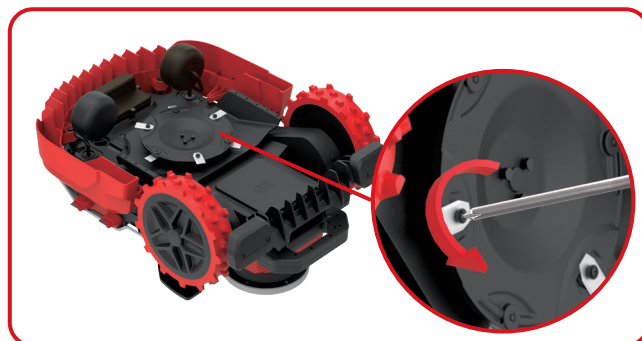
Avant d'essayer de remplacer les lames de votre Mission™ RTK<sup>n</sup>, mettez-le hors tension, portez des gants de protection et suivez les étapes suivantes:

1. Renversez délicatement le Mission™ RTK<sup>n</sup>.
2. Retirez le couvercle du bloc de batterie et retirez la batterie.
3. Retirez les vis des lames à l'aide d'un tournevis.
4. Vissez fermement les nouvelles lames.
5. Vissez fermement les nouvelles lames.



Si votre Mission™ RTK<sup>n</sup> a des lames à double couche, suivez ces étapes pour les remplacer:

1. Éteignez et renversez délicatement le Mission™ RTK<sup>n</sup>.
2. Retirez le couvercle du bloc de batterie et retirez la batterie.
3. Retirez les 3 vis de fixation du disque à l'aide d'un tournevis hexagonal.
4. Retirez le disque.
5. Retirez les 6 vis de fixation des lames à l'aide d'un tournevis et retirez les lames.
6. Vissez fermement les nouvelles lames et les nouvelles vis de fixation des lames.



7. Remettez en place et vissez fermement le disque sur la face inférieure du Mission™ RTK<sup>n</sup>.
8. Remettez la batterie et le couvercle de la batterie en place.

**Important: Après avoir vissé la lame au disque de coupe, assurez-vous que la lame tourne librement.**

## 2

Gardez-le propre

**⚠️ AVERTISSEMENT: Avant de nettoyer, mettez votre Mission™ RTK<sup>n</sup> hors tension. Portez des gants de protection avant de nettoyer le disque de rotation des lames et ne le rincez pas à l'eau.**

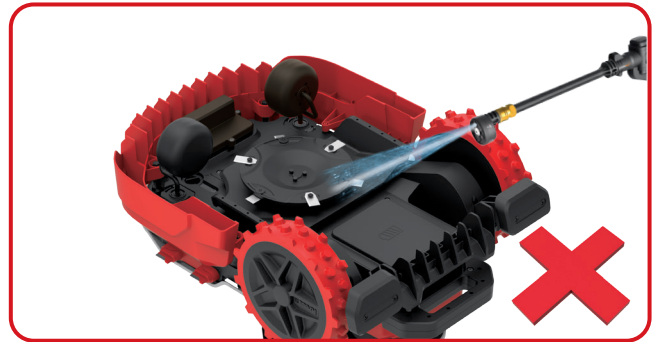
**⚠️ AVERTISSEMENT! Votre Mission™ RTK<sup>n</sup> doit être nettoyé avec un tuyau d'arrosage! NE PAS utiliser un nettoyeur haute pression sur votre Mission™ RTK<sup>n</sup>. Les jets d'eau à haute pression peuvent pénétrer dans les joints et endommager les composants électroniques et mécaniques.**

### A. Nettoyage du châssis

Votre Mission™ RTK<sup>n</sup> vivra et fonctionnera beaucoup plus longtemps s'il est nettoyé régulièrement. Comme votre Mission™ RTK<sup>n</sup> est une machine électrique, vous devrez faire attention lors du nettoyage. L'utilisation d'un tuyau d'arrosage est acceptable. Il est préférable d'utiliser un flacon pulvérisateur rempli d'eau. Pour nettoyer le châssis, utilisez une brosse douce ou un chiffon propre et évitez d'utiliser des solvants ou des produits de polissage. Finalement, enlevez toute accumulation de tontes de gazon et de débris.

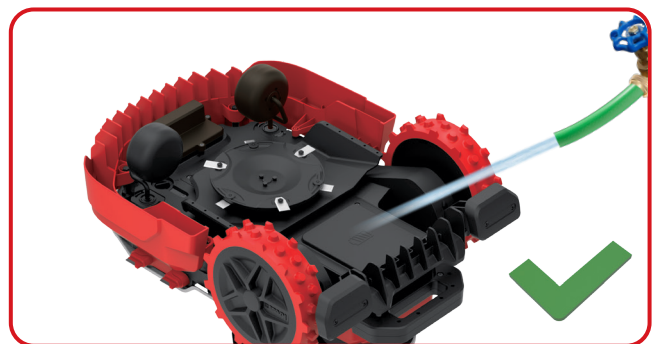
### B. Nettoyage du bas de caisse

Une fois encore, il est important d'éteindre le Mission™ RTK<sup>n</sup> et de **porter des gants de protection avant de toucher le disque de rotation des lames**. Tout d'abord, renversez votre Mission™ RTK<sup>n</sup> pour exposer le bas de caisse. Vous y verrez le disque de lames, le carter, la roue avant et les roues motrices. Nettoyez tout à fond avec une brosse douce ou un chiffon humide. L'utilisation d'un tuyau d'arrosage est acceptable.



Faites tourner le disque de coupe pour vous assurer qu'il tourne librement. Vérifiez que les lames tournent librement autour des vis de fixation. Enlevez toutes les obstructions.

**IMPORTANT: Retirez les débris coincés afin qu'ils ne provoquent pas de fissure dans le disque de la lame. Même la plus petite fissure peut diminuer le rendement de votre Mission™ RTK<sup>n</sup>.**



### C. Nettoyez les broches de contact et les bandes de chargement

Nettoyez les broches de contact situées sur la station de recharge et les bandes de chargement situées sur le Mission™ RTK<sup>n</sup> à l'aide d'un chiffon. Enlevez régulièrement les brins d'herbe ou les débris accumulés autour des broches de contact et des bandes de charge pour vous assurer que la Mission™ RTK<sup>n</sup> se recharge correctement à chaque fois.

# 3

## Vie de la batterie

Le cœur du Mission™ RTK<sup>n</sup> est sa batterie Li-Ion 20V. Pour un stockage correct de la batterie, assurez-vous qu'elle est entièrement chargée et conservée dans un endroit frais et sec entre (-20°C~+60°C).

**REMARQUE:** La température de fonctionnement recommandée pour le Mission™ RTK<sup>n</sup> se situe entre 0 et 55°C.

La durée de vie de la batterie du Mission™ RTK<sup>n</sup> dépend de différents facteurs, tels que:

- La durée de la saison de tonte dans votre région
- Le nombre d'heures de tonte par jour de Mission™ RTK<sup>n</sup>
- L'entretien de la batterie pendant le stockage

Le Mission™ RTK<sup>n</sup> peut être chargé manuellement.

1. Connectez la station de charge à une alimentation électrique appropriée. Le voyant vert de la station de charge s'allume.
2. Amarrez manuellement le Mission™ RTK<sup>n</sup> à la station de charge pendant que le Mission™ RTK<sup>n</sup> est hors tension.
3. Le voyant vert de la station de charge clignote et le Mission™ RTK<sup>n</sup> commence à se charger.



# 4

## Hibernation

Votre Mission™ RTK<sup>n</sup> durera et fonctionnera plus longtemps si on lui permet d'hiberner. Donc, même si c'est difficile, nous vous recommandons d'entreposer votre Mission™ RTK<sup>n</sup> dans votre remise ou votre garage pendant l'hiver.

Avant de préparer votre Mission™ RTK<sup>n</sup> pour l'hibernation, nous vous recommandons de:

- Nettoyer à fond votre Mission™ RTK<sup>n</sup>
- Charger complètement la batterie
- Éteindre le pouvoir

Pour maximiser la durée de vie de la batterie, chargez-la complètement avant de la ranger pendant l'hiver.

**⚠ AVERTISSEMENT: Protégez le bas de caisse du Mission™ RTK<sup>n</sup> de l'eau. Ne rangez JAMAIS Mission™ RTK<sup>n</sup> à l'envers à l'extérieur.**

**REMARQUE:** Lorsque vous remettez Mission™ RTK<sup>n</sup> en service après son hibernation, assurez-vous que les bandes de charge et les broches de contact sont propres. Nous vous recommandons d'utiliser une toile émeri de grain fin pour nettoyer les contacts. À l'aide de l'application, vérifiez que la date et l'heure sont correctes et envoyez le Mission™ RTK<sup>n</sup> à ce qu'il aime faire: tondre.

# 5

## Remplacer la batterie

**⚠ AVERTISSEMENT: Mettez l'appareil hors tension avant de tenter tout réglage, remplacement ou réparation.**

**Avant de remplacer les lames, éteignez votre Mission™ RTK<sup>n</sup> OFF et portez des gants de protection.**

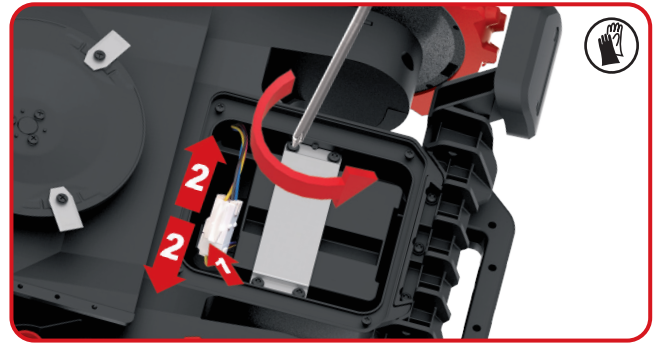
Si vous devez remplacer la batterie, suivez ces étapes: (seulement pour le KR172 & KR172.A & KR173)

1. Renversez délicatement votre Mission™ RTK<sup>n</sup>.
2. Retirez les vis du couvercle de la batterie. Retirez le couvercle de la batterie.

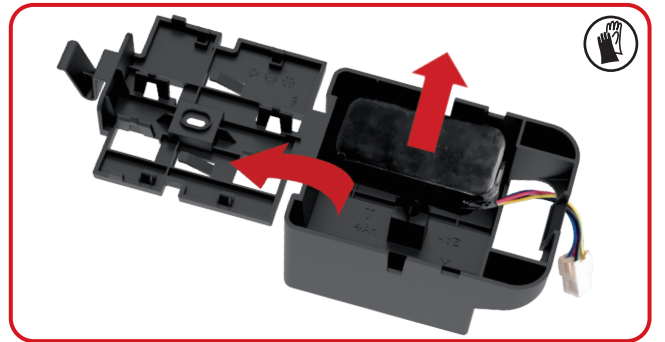


3. Retirez les vis de la plaque métallique.  
Retirez la plaque métallique.
4. Appuyez sur le loquet et libérez les connecteurs comme indiqué sur la photo.  
Sortez le bloc de batterie avec précaution.

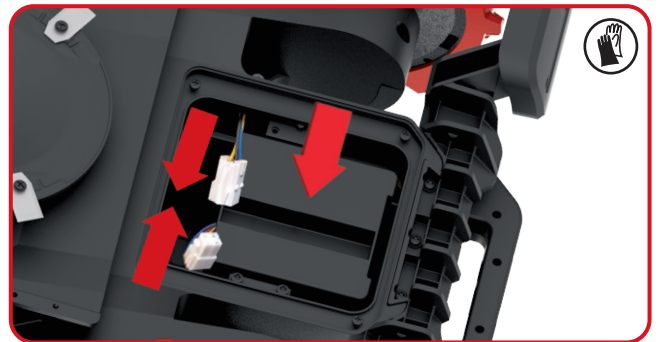
**REMARQUE:** Ne tirez pas sur les câbles. Tenez les connecteurs et libérez le loquet.



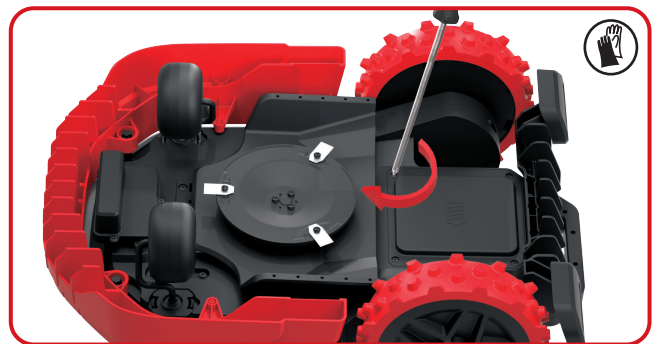
5. Ouvrez le bloc de batterie, puis retirez la batterie avec précaution. Remplacez l'ancienne batterie par la nouvelle.



6. Remettez le bloc de batterie à sa place et branchez les connecteurs. Remettez la plaque en place.

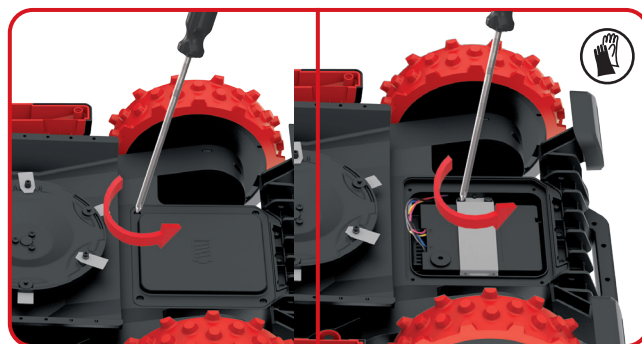


7. Replacez le couvercle dans sa position et serrez les vis.

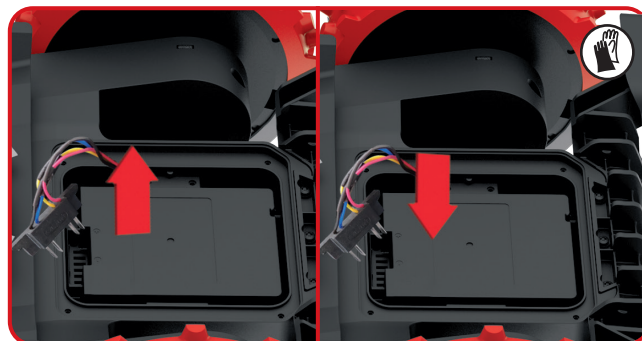


Si vous devez remplacer la batterie, suivez ces étapes: (seulement pour le KR174)

1. Renversez délicatement votre Mission™ RTK<sup>n</sup>.
2. Retirez les vis du couvercle de la batterie. Retirez le couvercle de la batterie.
3. Retirez les vis de la plaque métallique. Retirez la plaque métallique.



4. Débranchez le connecteur. Remplacez l'ancienne batterie par la nouvelle. Branchez ensuite le connecteur.



5. Remettez la plaque en place. Remplacez le couvercle dans sa position et serrez les vis.



# Dépannage

Si votre Mission™ RTK<sup>n</sup> ne fonctionne pas correctement, consultez le guide de dépannage ci-dessous. Si le défaut persiste, contactez le dealer.

Symptôme	Cause	Solutions
Le voyant LED du socle de recharge ne s'allume pas.	Pas d'alimentation.	Vérifiez que le socle de recharge est correctement connecté au chargeur et le chargeur est connecté à une alimentation électrique appropriée.
Mission™ RTK <sup>n</sup> ne peut pas se connecter correctement à la station de recharge.	La bande magnétique est placée dans le mauvais sens.	Vérifiez si la bande magnétique est placée dans le mauvais sens. Lorsqu'elle est correctement placée, la languette verte de la bande magnétique est tournée vers l'extérieur de la station de recharge.
L'appareil est à court d'énergie mais ne retourne pas à la station de recharge.	Aucune station de recharge virtuelle n'est cartographiée.	Reconstruisez la carte et ajoutez la station de recharge virtuelle.
	La longueur de la bande magnétique est inférieure 2.5 m (8.2').	Il faut vérifier que la longueur de la bande magnétique est supérieure à 2.5 m (8.2').
Lorsque Mission™ RTK <sup>n</sup> descend une pente, elle dépasse la ligne de délimitation.	L'angle de la ligne de délimitation est très aigu.	Essayez d'éviter les scénarios de configuration avec des angles aigus.
32 F Après avoir allumé Mission™ RTK <sup>n</sup> , vous appuyez sur le bouton de démarrage, mais Mission™ RTK <sup>n</sup> ne fonctionne pas.	Mission™ RTK <sup>n</sup> est en dehors de la zone de travail.	Move Mission™ RTK <sup>n</sup> inside the working area.
	Mauvais signal de positionnement	Trouvez un endroit ouvert, attendez que le voyant du signal de positionnement devienne vert, puis appuyez sur le bouton de démarrage.
Mission™ RTK <sup>n</sup> ne déclenche pas d'alarme lorsqu'il se trouve à l'extérieur du périmètre de géolocalisation.	Le logiciel de Mission™ RTK <sup>n</sup> n'est pas le plus récent.	Mettez à jour le logiciel de Mission™ RTK <sup>n</sup> .
	Mission™ RTK <sup>n</sup> est hors tension.	Mettez Mission™ RTK <sup>n</sup> sous tension.
Mission™ RTK <sup>n</sup> est garée au milieu de l'obstacle.	Les obstacles autour de Mission™ RTK <sup>n</sup> sont relativement petits, et Mission™ RTK <sup>n</sup> ne parvient pas à se dégager.	Définissez la zone où Mission™ RTK <sup>n</sup> est facilement piégée comme interdite.
	Le capteur de Mission™ RTK <sup>n</sup> est anormal.	Trouvez la page de diagnostic de Mission™ RTK <sup>n</sup> sur l'application et vérifiez l'état du capteur.
Impossible de lire le journal	Le format du disque U n'est pas <b>FAT32</b> .	Convertissez le format du disque U en <b>FAT32</b> .



Mission™ RTK <sup>n</sup> est garé autour du mur et ne peut pas être démarré, et le voyant de positionnement est toujours allumé en rouge.	Mission™ RTK <sup>n</sup> travaille dans la zone ombragée pendant trop longtemps, ce qui déclenche la protection de sécurité.	Essayez d'éviter de laisser Mission™ RTK <sup>n</sup> tondre dans des zones trop ombragées.
	Il y a trop de murs ou d'arbres dans la zone, ce qui bloque le signal de positionnement.	

**⚠️ ADVERTENCIA:** Algún polvo creado por lijado, aserrado, perforación eléctricos, y otras actividades de construcción contiene químicos que se sabe en el estado de California que causan cáncer, defectos de nacimiento y otros daños reproductivos. Algunos ejemplos de estos químicos son:

- Plomo a partir de pinturas a base de plomo;
- Sílice cristalino de ladrillos y cemento y otros productos de albañilería;
- Arsénico y cromo de madera tratada químicamente.

Su riesgo a partir de estas exposiciones varía, dependiendo de qué tan a menudo realice este tipo de trabajo. Para reducir su exposición a estos químicos: trabaje en un área bien ventilada, y trabaje con equipo de seguridad aprobado, tal como máscaras de polvo que estén diseñadas especialmente para filtrar partículas microscópicas.

**⚠️ ADVERTENCIA:** Este producto puede exponerlo a sustancias químicas, como plomo y di (2-etilhexilo) ftalato (DEHP), que el estado de California reconoce como causantes de cáncer y defectos de nacimiento u otros daños reproductivos. Para más información visite [www.P65Warnings.ca.gov](http://www.P65Warnings.ca.gov).

**⚠️ ADVERTENCIA:** Lea todas las advertencias de seguridad y todas las instrucciones. La falla en seguir las advertencias e instrucciones puede resultar en choque eléctrico, incendio y/o lesiones serias. Lea cuidadosamente las instrucciones para la operación segura de la máquina. Guarde todas las advertencias e instrucciones para referencia futura.

- Este aparato no está diseñado para uso por personas (incluyendo niños) con capacidades físicas, sensoriales o mentales reducidas, o sin experiencia y conocimiento, a menos que hayan recibido supervisión o instrucción respecto al uso del aparato por una persona responsable por su seguridad.
- Los niños deben ser supervisados para asegurar que no jueguen con el aparato. ADVERTENCIA: Para propósitos de recargar la batería, sólo use la unidad de suministro desprendible provista con este aparato.

## LEA CUIDADOSAMENTE ANTES DE USAR CONSERVE PARA REFERENCIA FUTURA

### Prácticas de operación segura Capacitación

- a) Lea las instrucciones cuidadosamente. Asegúrese de entender las instrucciones y familiarizarse con los controles y el uso adecuado del aparato.
- b) Nunca permita que personas no familiarizadas con estas instrucciones o niños usen el aparato. Las regulaciones locales pueden restringir la edad del operador.
- c) El operador o usuario es responsable por accidentes o peligros que ocurran a otras personas o su propiedad.

### Preparación

- a) Confirme que el límite virtual está establecido como se indicó y que se mantiene regularmente. Antes de cada ciclo de trabajo, la máquina va alrededor de la zona de trabajo para verificar si el límite virtual existe, si no existe, la máquina se apagará. El límite virtual especifica la zona de trabajo donde la máquina tiene permitido funcionar. La antena RTK en la máquina detecta cuando se aproxima al límite virtual. Cuando la máquina golpea un obstáculo o se acerca al límite virtual el producto selecciona una nueva dirección.
- b) Revise periódicamente el área donde se usará el aparato y retire todas las piedras, varas, alambres, huesos, y otros objetos extraños.
- c) Revise de forma visual periódicamente para ver que las aspas, pernos de aspa y ensamble del cortador no estén desgastados o dañados. Reemplace las aspas y pernos desgastados o dañados en juegos para conservar el balance.
- d) En aparatos de husillo múltiple, tenga cuidado ya que girar una aspa puede causar que otras giren.
- e) ADVERTENCIA! La podadora no debe operarse sin la protección en su lugar.

### Operación 1. General

- a) Nunca opere el aparato con protecciones defectuosas, o sin dispositivos de seguridad, por ejemplo deflectores, en su lugar.
- b) No coloque las manos o pies cerca o debajo de las partes giratorias. Mántengase alejado de la abertura de descarga en todo

- momento.
- c) Nunca levante o transporte el aparato mientras el motor esté funcionando.
  - d) Opere el dispositivo de desactivación del aparato:
    - Retirar el bloqueo;
    - Revisar, limpiar o trabajar en el aparato;
    - Después de golpear un objeto extraño para inspeccionar si la máquina tiene daños;
    - Si la máquina comienza a vibrar de manera anormal, y para verificar si tiene daños antes de reiniciar.
  - e) No se permite modificar el diseño original de la podadora robótica. Todas las modificaciones realizadas son bajo su propio riesgo.
  - f) Arranque la podadora robótica de acuerdo con las instrucciones. Cuando se encienda la llave de energía, asegúrese de mantener sus manos y pies lejos de las aspas giratorias. Nunca coloque sus manos y pies debajo de la podadora.
  - g) Nunca levante la podadora robótica o la transporte cuando la llave de energía esté encendida.
  - h) No deje que personas que no conocen cómo funciona y se comporta la podadora robótica la usen.
  - i) No coloque nada sobre la parte superior de la podadora robótica o su estación de carga.
  - j) No permita que la podadora robótica se utilice con un disco de aspa o cuerpo defectuoso. Tampoco se debe usar con aspas, tornillos, tuercas o cables defectuosos.
  - k) Siempre apague la podadora robótica cuando no pretenda usarla. La podadora robótica sólo puede arrancar cuando la llave de energía está encendida y se ingresó el código NIP correcto.
  - l) Mantenga sus manos y pies alejados de las cuchillas giratorias. Nunca coloque sus manos o pies cerca o debajo del cuerpo cuando la podadora robótica esté en operación.
  - m) Evite usar la máquina y sus periféricos en malas condiciones climáticas, en especial cuando exista un riesgo de rayos.
  - n) No toque las partes peligrosas móviles antes que se hayan detenido por completo.
  - o) En el caso de las máquinas usadas en zonas públicas, deben colocarse señales de advertencia alrededor de la zona de trabajo de la máquina. Deberán mostrar el siguiente texto:  
¡Atención! ¡Podadora automática! ¡No se acerque a la máquina! ¡Supervise a los niños!

## 2. Adicionalmente cuando el aparato esté funcionando automáticamente

- a) No deje que la máquina opere sin atenderla si sabe que hay mascotas, niños o personas en las cercanías.

### Mantenimiento y almacenamiento



**¡ADVERTENCIA!** Cuando la podadora se voltee la llave de energía siempre se debe apagar.

**La llave de energía se debe apagar durante todo el trabajo en el marco inferior de la podadora, tal como limpiar o reemplazar las aspas.**

- a) Mantenga todas las tuercas, pernos y tornillos apretados para asegurar que el aparato esté en una condición de operación segura.
- b) Revise la podadora robótica cada semana y reemplace las partes desgastadas o dañadas por seguridad.
- c) Revise especialmente que las aspas y el disco de aspa no estén dañados. Reemplace todas las aspas y tornillos al mismo tiempo si es necesario para que las partes giratorias estén balanceadas.
- d) Asegúrese que sólo se usen medios de corte del tipo correcto.
- e) Asegúrese que las baterías estén cargadas usando el cargador correcto recomendado por el fabricante. El uso incorrecto puede resultar en choque eléctrico, sobrecalentamiento o fuga de líquido corrosivo de la batería.
- f) En el caso de fuga de electrolito lave con agua/agente neutralizante, busque ayuda médica si entra en contacto con los ojos, etc.
- g) El servicio del aparato debe ser de acuerdo con las instrucciones de los fabricantes.

### Recomendación

Conecte la máquina y/o sus periféricos únicamente a un circuito de suministro protegido por un dispositivo de corriente residual (RCD) con una corriente de disparo de no más de 30 mA.

### Riesgos residuales

Para evitar lesiones, use guantes de protección cuando reemplace las cuchillas.

### Transporte

El empaque original se debe usar cuando transporte la podadora robótica en distancias

extensas.

Para mover con seguridad desde o dentro del área de operación:

- a) Presione el botón STOP para detener la podadora. Usted selecciona el código NIP de cuatro dígitos cuando arranca la podadora por primera vez.
- b) Siempre apague la podadora robótica si pretende cargar la podadora.
- c) Cargue la podadora por la manija en la parte trasera debajo de la podadora. Cargue la podadora con el disco de aspa alejado del cuerpo.

### **Advertencias de seguridad para las baterías dentro de la herramienta**

- a) **No desensamble, abra o triture el paquete de batería.**
- b) **No exponga el paquete de batería a calor o fuego. Evite guardar a la luz directa del sol.**
- c) **No ponga en corto circuito el paquete de batería. No guarde el paquete de batería de forma aleatoria en una caja o cajón donde puedan ponerse en corto circuito entre sí o ponerse en corto circuito por otros objetos metálicos.** Cuando el paquete de batería no esté en uso, manténgalo alejado de otros objetos metálicos, como sujetadores de papel, monedas, llaves, clavos, tornillos u otros objetos metálicos pequeños que puedan establecer una conexión de una terminal a otra. El corto circuito de las terminales de la batería puede causar quemaduras o incendios.
- d) **No someta el paquete de batería a impacto mecánico.**
- e) **En el caso de fuga de la batería, no permita que el líquido entre en contacto con la piel o los ojos. Si hay contacto, lave el área afectada con bastante agua y busque atención médica.**
- f) **No use ningún paquete de batería que no esté diseñado para uso con el equipo.**
- g) **Mantenga el paquete de batería fuera del alcance de los niños.**
- h) **Siempre adquiera el paquete de batería recomendado por el fabricante del dispositivo para el equipo.**
- i) **Mantenga el paquete de batería limpio y seco.**
- j) **Limpie las terminales del paquete de batería con una tela seca limpia su se ensucian.**
- k) **El paquete de batería se necesita cargar antes del uso. Siempre use el cargador**

**correcto y consulte las instrucciones del fabricante o el manual del equipo para saber las instrucciones correctas de carga.**

- l) **No deje el paquete de batería en carga prolongada cuando no esté en uso.**
- m) **Recargue únicamente con el cargador especificado por Kress. No use cargadores que no sean los específicamente suministrados para uso con el equipo.**
- n) **Conserve la literatura el producto original para referencia futura.**
- o) **Sólo use el paquete de batería en la aplicación para la que está diseñado.**
- p) **Deséchelo adecuadamente.**
- q) **No mezcle celdas de diferente fabricación, capacidad, tamaño o tipo dentro del dispositivo.**
- r) **Mantenga la batería lejos de microondas y no la someta a altas presiones.**

### **Requisitos del manual de usuario del producto inalámbrico**

- a) **Este dispositivo cumple con la Parte 15 de las Regulaciones de la FCC. Su utilización está sujeta a las dos condiciones siguientes:**
  - (1) **Este dispositivo no puede provocar interferencia dañina, y**
  - (2) **Este dispositivo debe admitir cualquier interferencia recibida, incluso interferencia que pueda provocar un funcionamiento no deseado.**
- b) **Precaución: Los cambios o modificaciones a esta unidad no autorizados expresamente por la parte responsable de la conformidad podrían anular la autoridad del usuario a utilizar este equipo.**
- c) **Este dispositivo contiene transmisores/receptores exentos de licencia que cumplen las RSS de exención de licencia del Ministerio de Industrias de Canadá. Su utilización está sujeta a las dos condiciones siguientes:**
  - (1) **Este dispositivo no puede provocar interferencia.**
  - (2) **Este dispositivo debe admitir cualquier interferencia, incluso interferencia que pueda provocar un funcionamiento no deseado del dispositivo.**
- d) **NOTA: Este equipo ha sido probado y se comprobó que cumple con los límites para un dispositivo digital Clase B, de conformidad con la Parte 15 de las**

**Regulaciones de la FCC. Estos límites están diseñados para proporcionar una protección razonable contra las interferencias perjudiciales en una instalación residencial. Este equipo genera, usa y puede radiar energía de radiofrecuencias y, si no se instala y usa de acuerdo con las instrucciones, puede provocar interferencia dañina a las radiocomunicaciones. No obstante, no hay garantía de que no causará interferencia en una instalación específica. Si este equipo provoca interferencia dañina a la recepción de radio o televisión, lo cual se puede determinar encendiendo y apagando el equipo, se alienta al usuario para que intente corregir la interferencia mediante una o más de las siguientes medidas:**

- Reorientar o reubicar la antena receptora.**
- Aumentar la separación entre el equipo y el receptor.**
- Conectar el equipo a una toma de corriente de un circuito diferente al que está conectado el receptor.**
- Consultar al distribuidor o a un técnico de radio/televisión con experiencia para que le ayude.**

# Símbolos



ADVERTENCIA – la podadora robótica puede ser peligrosa si se usa incorrectamente. Lea el Manual del operador cuidadosamente y entienda el contenido antes de usar su podadora robótica.



ADVERTENCIA - Mantenga una distancia segura desde la máquina cuando la opere.



ADVERTENCIA – Active el dispositivo de desactivación antes de trabajar en o levantar la máquina.



ADVERTENCIA – No monte la máquina.



Aparato clase III



Batería de Ion de litio, la batería se debe reciclar.

38  
ES



No arrojar al fuego.



Las baterías pueden entrar al ciclo de agua si se desechan incorrectamente, lo que puede ser peligroso para el ecosistema. No deseches las baterías de desperdicio como desperdicio municipal sin clasificar.



No lave la máquina con una lavadora a alta presión.



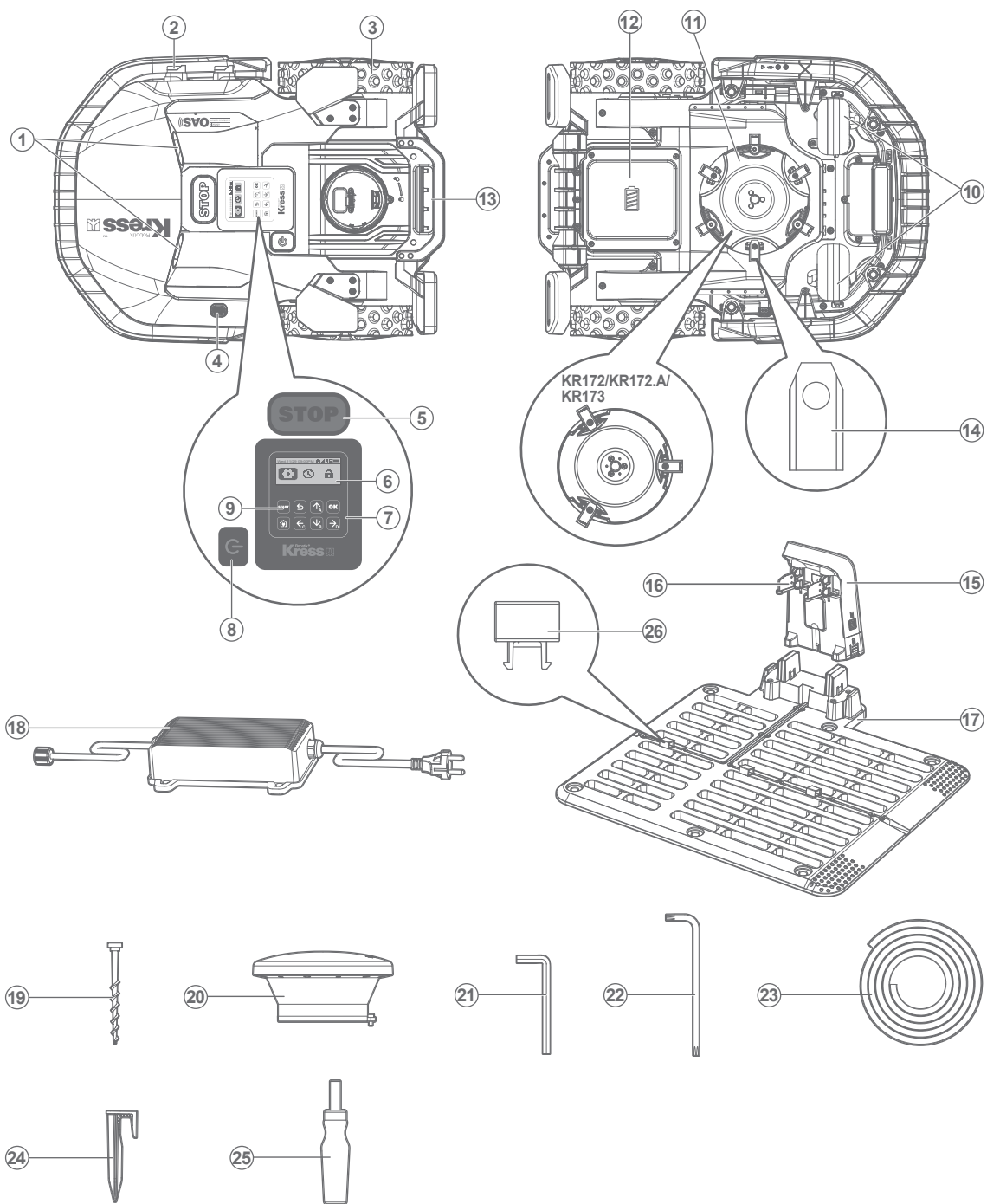
Prohibido desarmar la máquina sin autorización.



**call2recycle**

POSITEC Inc. ha establecido una sociedad con RBRC Corporation para reciclar cualquier batería Positec con el sello de reciclaje RBRC-call2. Para protección ambiental, por favor no deseches las baterías en la basura. Después que finalice el ciclo de vida de las baterías, por favor llame al 1.800-822-8837 para servicio gratuito para desechar adecuadamente la batería.

# Lista De Partes



- |  |   |
|--|---|
| 1. Sensor ultrasónico (Solamente para KR172.A, KR173, KR174) | 14. Hoja de corte                                     |
| 2. Cintas de cargar  | 15. Pila de recarga                                   |
| 3. Rueda Motriz Trasera                                      | 16. Espigas de contacto                               |
| 4. Sensor de lluvia  | 17. Base de carga                                     |
| 5. Botón DETENER   | 18. Adaptador de alimentación                         |
| 6. Pantalla  | 19. Clavos de fijación de la base de carga            |
| 7. Teclado   | 20. Antena RTK  |
| 8. Tecla de ENCENDIDO/APAGADO                                | 21. Llave allen                                       |
| 9. Tecla de INICIO   | 22. Llave para antena RTK                             |
| 10. Rueda delantera  | 23. Cinta magnética                                   |
| 11. Disco de giro de las cuchillas                           | 24. Grapas  |
| 12. Baterías*  | 25. Destornillador hexagonal * (Solamente para KR174) |
| 13. Mango  | 26. Hebilla   |

\*No todos los accesorios ilustrados o descritos se incluyen junto con el producto estándar.

## Datos Técnicos

Tipo **KR172 KR172.A KR173 KR174 (100-199 - designación de maquinaria, representativa de la Podadora Robótica)**

**40**  
**ES**

	KR172	KR172.A	KR173	KR174
Voltaje nominal	20V $\equiv$ Max.*			
Velocidad sin carga	2700/min			2600/min
Área de corte	1/2 acre (2000m <sup>2</sup> )	3/4 acre (3000m <sup>2</sup> )		1 1/4 acre (5000m <sup>2</sup> )
Diámetro de corte	7.87" (20cm)			8.66" (22cm)
Altura de corte	1.57" – 3.54" (40mm-90mm)			
Posiciones de altura de corte	11			
Tipo de batería	Ion de litio			
Modelo de batería	KA3024			KA3006
Tiempo de carga aprox.	180 min	90 min		72 min
Modelo de cargador	KA3732	KA3733		KA3725
Capacidad de cargador	Entrada: 120V~60Hz, 38W, Salida: 20V, 1.5A	Entrada: 120V~60Hz, 90W, Salida: 20V, 3.0A		Entrada: 120V~60Hz, 190W, Salida: 28V, 5.0A
Peso de maquinaria	26.48 lbs (12 kg)	27.58 lbs (12.5 kg)		28.46 lbs (12.9 kg)
Grado de protección	III			
App	Y			
Máxima pendiente dentro de la superficie de trabajo	40%			



\* Voltaje medido sin carga. El voltaje de batería inicial alcanza el máximo de 20 voltios. El voltaje nominal es 18 voltios.

## Datos técnicos de la Antena

Voltaje nominal		5V±2%	
Temperatura de funcionamiento		-40°C-85°C	
Temperatura de almacenamiento		-40°C-85°C	
Banda	Tx(Mhz)	Rx(Mhz)	Potencia de salida de RF (Max)
WCDMA(B2)	1850-1910	1930-1990	25dBm
WCDMA(B4)	1710-1755	2110-2155	25dBm
WCDMA(B5)	824-849	869-894	25dBm
LTE-FDD B2	1850-1910	1930-1990	25dBm
LTE-FDD B4	1710-1755	2110-2155	25dBm
LTE-FDD B5	824-849	869-894	25dBm
LTE-FDD B12	699-716	729-746	25dBm
LTE-FDD B13	777-787	746-756	25dBm
LTE-FDD B14	788-798	758-768	25dBm
LTE-FDD B66	1710-1780	2110-2200	25dBm
LTE-FDD B71	663-698	617-652	25dBm

**41**  
**ES**

## Accesorios

	KR172	KR172.A	KR173	KR174
Tornillo para fijar el disco	/	/	/	3
Tornillo para fijar las cuchillas	9	9	9	18
Base de carga	1	1	1	1
Clavos de fijación de la base de carga	6	6	6	6
Llave allen	1	1	1	1
Llave para antena RTK	1	1	1	1
Cinta magnética	1	1	1	1
Medidor	2	2	2	2
Cuchilla	9	9	9	18

Antena RTK	1	1	1	1
Grapas	16	16	16	16
Destornillador hexagonal	/	/	/	1
Baterías (KA3021 / KA3024 / KA3006)	1	1	1	1
Cargador (KA3732)	1	1	/	/
Cargador (KA3733)	/	/	1	/
Cargador (KA3725)	/	/	/	1

Le recomendamos que compre todos los accesorios en la tienda donde adquirió la herramienta. Consulte el empaque de los accesorios para obtener más detalles. El personal de la tienda también puede ayudarlo y aconsejarle.

## Uso Previsto

El producto de jardinería está destinado para el corte doméstico del césped. Está diseñado para cortar el césped con frecuencia, mantener un césped más saludable y de mejor aspecto que nunca antes. En dependencia del tamaño de su césped, Mission™ RTK<sup>n</sup> se pudiera programar para que funcione en cualquier momento o frecuencia. No está destinado para cavar, barrer ni limpiar nieve.

## Mantenimiento

42

ES

Su Mission™ RTK<sup>n</sup> works hard and needs to be cleaned and checked from time to time. Some parts will require replacement as they become worn. Never use your Mission™ RTK<sup>n</sup> con el interruptor de encendido/apagado defectuoso.

Apague la máquina antes de realizar cualquier mantenimiento o reparación.

Aquí le mostramos cómo cuidar de su Mission™ RTK<sup>n</sup>.

# 1

## Manténgalo afilado

**⚠️ ADVERTENCIA:** Antes de limpiar, ajustar, o sustituir las cuchillas, apague su Mission™ RTK<sup>n</sup> y póngase guantes de protección.

**⚠️ ADVERTENCIA:** Cuando ajuste nuevas cuchillas, asegúrese de que sustituye TODAS las cuchillas. Use siempre tornillos nuevos cuando ajuste las cuchillas. Esto es importante para asegurar la retención de las cuchillas y equilibrar el disco de giro de las cuchillas. No usar tornillos nuevos podría provocar lesiones graves.

El Mission™ RTK<sup>n</sup> no corta la hierba como otras podadoras. Sus cuchillas de corte son muy filosas en 2 bordes y giran en ambas direcciones para la máxima capacidad de corte. El perfil rediseñado de las cuchillas impide mejor que la hierba cortada quede atrapada en la separación entre el disco y la cuchilla. Y con el nuevo material, el tiempo de servicio de cada cuchilla de corte será más largo que el de otras marcas cuando se programa para cortar el césped cada día. Siempre verifique por si las cuchillas están melladas o dañadas y sustitúyalas si lo están. Cuando las cuchillas de corte están sin filo y desgastadas, se deben sustituir con las cuchillas de recambio provistas con su Mission™ RTK<sup>n</sup>. Las cuchillas de recambio también están disponibles de su distribuidor de Kress más cercano.

### A. Sustituya las cuchillas

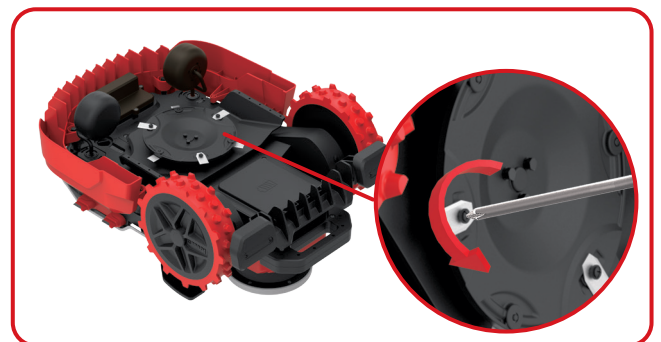
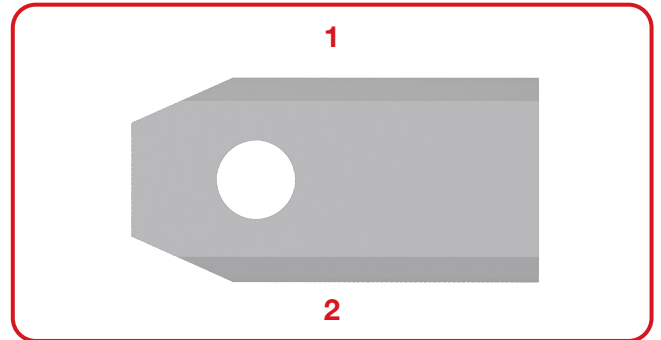
Usualmente las cuchillas de su Mission™ RTK<sup>n</sup> se deben invertir cada mes y sustituir cada semana, puede ajustar la frecuencia de sustitución de la cuchilla de acuerdo con la calidad del corte del césped. Cuando sustituya las cuchillas, asegúrese de sustituir las todas al mismo tiempo. Usted puede sustituir las con uno de los kits de cuchillas de recambio y tornillos extra de cuchillas suministrados con su Mission™ RTK<sup>n</sup>.

Antes de intentar sustituir las cuchillas de su Mission™ RTK<sup>n</sup>, apáguelo y póngase guantes de protección y siga estos pasos:

1. Con cuidado voltee el Mission™ RTK<sup>n</sup>.
2. Retire la cubierta de la batería y retire la batería.
3. Saque los tornillos de las cuchillas con un destornillador.
4. Atornille firmemente las nuevas cuchillas.
5. Reacondicione la batería y la cubierta de la batería.

Si su Mission™ RTK<sup>n</sup> tiene cuchillas de doble capa, siga estos pasos para sustituir las:

1. Apague y con cuidado voltee el Mission™ RTK<sup>n</sup>.
2. Retire la cubierta de la batería y retire la batería.
3. Saque los 3 tornillos para fijar el disco con un destornillador hexagonal.
4. Retire el disco.
5. Saque los 6 tornillos para fijar las cuchillas con un destornillador y retire las cuchillas.
6. Atornille firmemente las nuevas cuchillas y los tornillos nuevos para fijar las cuchillas.
7. Reacondione y atornille firmemente el disco en la parte de abajo de Mission™ RTK<sup>n</sup>.
8. Reacondione la batería y la cubierta de la batería.



**Importante:** Después de atornillar la cuchilla a el disco de cuchillas, asegúrese de que la cuchilla puede girar libremente.

## 2

### Manténgalo limpio

**ADVERTENCIA:** Antes de limpiarlo, apague su Mission™ RTK<sup>n</sup>. Póngase guantes de protección antes de limpiar el disco de giro de las cuchillas y no lo lave ni enjuague con agua.

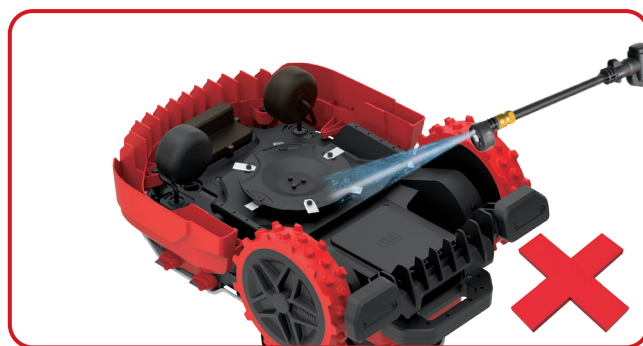
**ADVERTENCIA!** ¡Su Mission™ RTK<sup>n</sup> se puede enjuagar solamente usando una manguera! NO use una lavadora de alta presión para su Mission™ RTK<sup>n</sup>. El agua a alta presión puede penetrar los sellos y dañar partes electrónicas y mecánicas.

#### A. Limpiar el cuerpo

Su Mission™ RTK<sup>n</sup> vivirá más feliz y más tiempo si lo limpia regularmente. Puesto que su Mission™ RTK<sup>n</sup> es una máquina eléctrica, deberá tener cuidado cuando la limpia. Se puede limpiar con agua de manguera. Es mejor usar una botella pulverizadora llena con agua. Cuando limpie el cuerpo de la máquina, use un cepillo blando o paño limpio y evite usar solventes o pulimentos. Finalmente, retire toda la acumulación de hierba cortada y residuos.

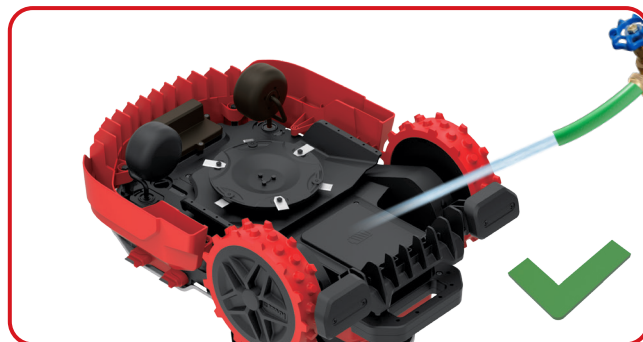
#### B. Limpiar la parte de abajo

Nuevamente, es importante que apague el Mission™ RTK<sup>n</sup> y **se ponga guantes de protección antes de tocar el disco de giro de las cuchillas**. Primero, voltee su Mission™ RTK<sup>n</sup> al revés para exponer su parte de abajo. Ahí verá el disco de cuchillas, el chasis, y la rueda delantera y las ruedas motrices. Limpie bien todo con un cepillo blando o paño húmedo. Se puede limpiar con agua de manguera.



**44**  
**ES** Gire el disco de cuchillas para asegurar que gira libremente. Verifique que las cuchillas giran libremente alrededor de los tornillos de fijación. Retire cualquier obstrucción.

**IMPORTANTE:** Retire cualquier residuo atascado de manera que no provoque una grieta en el disco de cuchillas. Incluso la grieta más pequeña puede disminuir la potencia de corte de su Mission™ RTK<sup>n</sup>.



#### C. Limpie las espigas de contacto y las cintas de carga

Limpie las espigas de contacto ubicadas en la base de carga y las cintas de carga ubicadas en el Mission™ RTK<sup>n</sup> con un paño. Retire cualquier acumulación de hierba cortada o residuos alrededor de las espigas de contacto y cargue periódicamente las cintas para asegurar que el Mission™ RTK<sup>n</sup> cargue exitosamente cada vez.

# 3

## Vida de las baterías

El corazón del Mission™ RTK<sup>n</sup> es su batería de Li-Ion de 20 V. Para el almacenamiento correcto de la batería, asegúrese de que está completamente cargada y manténgala en un lugar seco y fresco entre (-20°C~+60°C).

**NOTA:** La temperatura de funcionamiento recomendada de Mission™ RTK<sup>n</sup> es entre 0-55°C.

La vida útil de la batería del Mission™ RTK<sup>n</sup> depende de diversos factores, tales como:

- La duración de la estación de corte del césped en su región
- La cantidad de horas que el Mission™ RTK<sup>n</sup> corta el césped por día
- El mantenimiento de la batería durante el almacenamiento

## La Mission™ RTK<sup>n</sup> se puede cargar manualmente.

1. Conecte la estación de carga a una fuente de alimentación adecuada. La luz verde de la estación de carga se encenderá.
2. Acople manualmente la Mission™ RTK<sup>n</sup> a la estación de carga mientras la Mission™ RTK<sup>n</sup> está apagada.
3. La luz verde de la estación de carga parpadeará y la Mission™ RTK<sup>n</sup> comenzará a cargarse.



# 4

## Hibernación

Su Mission™ RTK<sup>n</sup> vivirá más tiempo y con más salud si se le deja hibernar. De manera que aunque es fuerte, recomendamos guardar su Mission™ RTK<sup>n</sup> en su cobertizo o garaje durante el invierno.

Antes de que prepare su Mission™ RTK<sup>n</sup> para la hibernación, le recomendamos:

- Limpie bien su Mission™ RTK<sup>n</sup>
- Cargue completamente la batería
- Apaga el poder

Para maximizar la vida de la batería, cargue completamente la batería antes del almacenamiento durante el invierno.

**⚠ ADVERTENCIA: Proteja la parte de abajo de Mission™ RTK<sup>n</sup> del agua. NUNCA guarde su Mission™ RTK<sup>n</sup> al revés en exteriores.**

**NOTA:** Cuando prepare el Mission™ RTK<sup>n</sup> nuevamente para el trabajo después de la hibernación, asegúrese de que las cintas de carga y espigas de contacto están limpias. Recomendamos usar un paño de esmeril de grado fino para limpiar los contactos. Con la aplicación, asegúrese de que la fecha y hora son correctas y envíe el Mission™ RTK<sup>n</sup> de vuelta a lo que le gusta hacer: cortar el césped.

# 5

## Sustituir la batería

**⚠ ADVERTENCIA: Apague antes de intentar cualquier ajuste, sustitución o reparación. Antes de sustituir las cuchillas, apague su Mission™ RTK<sup>n</sup> y póngase guantes de protección.**

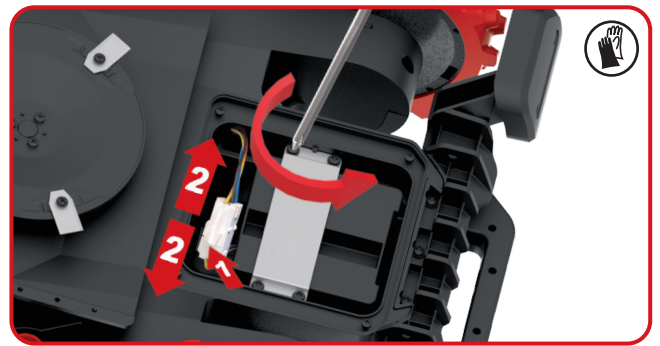
Si necesita sustituir la batería, siga estos pasos:  
(Solamente para KR172 & KR172.A & KR173)

1. Con cuidado voltee su Mission™ RTK<sup>n</sup>.
2. Retire los tornillos en la cubierta de la batería. Retire la cubierta de la batería.

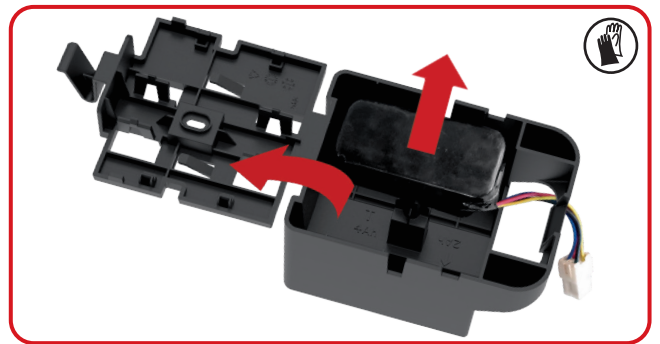


3. Retire los tornillos en la hoja de metal.  
Retire la hoja de metal.
4. Presione el cierre y libere los conectores como se muestra en la imagen. Levante la caja de la batería con cuidado.

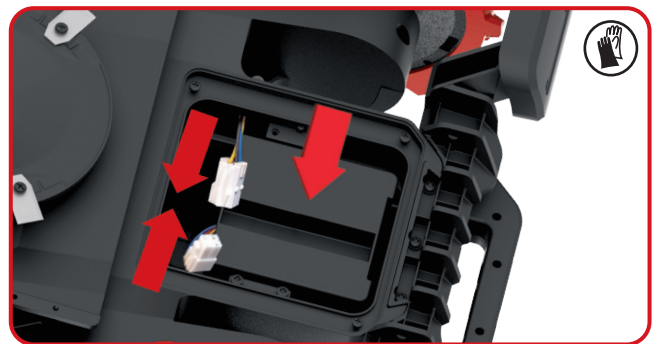
**NOTA:** No jale por los cables. Sostenga los conectores y libere el cierre.



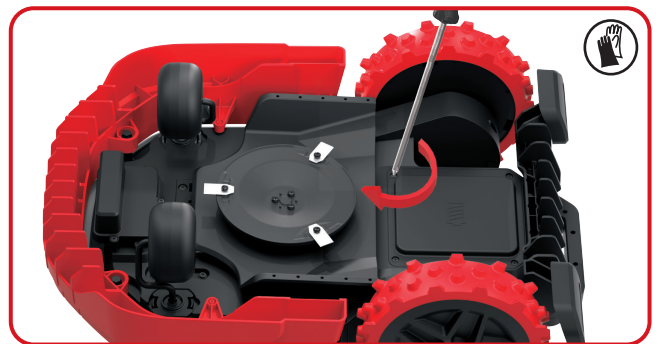
5. Abra la caja de la batería y después levante la batería con cuidado. Sustituya la batería vieja con la nueva.



6. Ponga la caja de la batería de nuevo en su posición y enchufe los conectores. Reacondicione la hoja de metal.

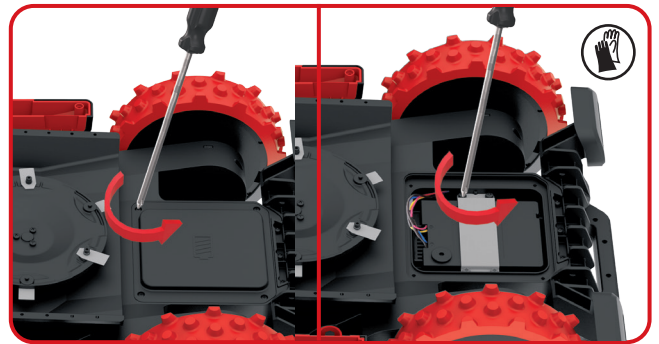


7. Coloque la cubierta de nuevo en su posición y apriete los tornillos.

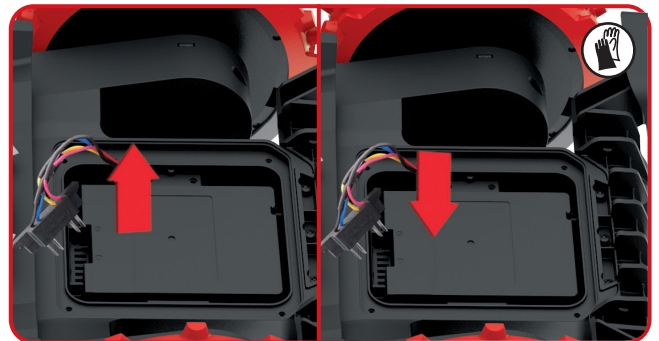


Si necesita sustituir la batería, siga estos pasos:  
(Solamente para KR174)

1. Con cuidado voltee su Mission™ RTK<sup>n</sup>.
2. Retire los tornillos en la cubierta de la batería.  
Retire la cubierta de la batería.
3. Retire los tornillos en la hoja de metal.  
Retire la hoja de metal.



4. Desenchufe el conector. Sustituya la batería vieja con la nueva. Después enchufe el conector.



5. Reacondicione la hoja de metal. Coloque la cubierta de nuevo en su posición y apriete los tornillos.



# Solución De Problemas

Si su Mission™ RTK<sup>n</sup> no funciona correctamente, siga la guía de solución de problemas debajo. Si el problema persiste, contacte el dealer.

Síntoma	Causa	Solución
La luz LED en la estación de carga no se enciende.	No hay energía.	Compruebe que la estación de carga está conectada correctamente al cargador y el cargador está conectado a una fuente de alimentación adecuada.
El Mission™ RTK <sup>n</sup> no puede acoplar correctamente con la base de carga.	La cinta magnética está colocada en la dirección incorrecta.	Verifique si la cinta magnética está colocada en la dirección incorrecta. Cuando la coloque correctamente, la franja verde de la cinta magnética se orienta en dirección opuesta a la base de carga.
La máquina se queda sin energía pero no regresa a la base de carga.	No hay base de carga virtual mapeada.	Rehaga el mapa y añada la base de carga virtual.
	La longitud de la cinta magnética es menos de 8.2' (2.5 m).	Se debe asegurar que la longitud de la cinta magnética sea mayor que 8.2' (2.5 m).
Cuando el Mission™ RTK <sup>n</sup> va pendiente abajo, se pasa de la línea de límite.	El ángulo de la línea de frontera es muy cerrado.	Intente evitar escenarios de diseño con ángulos cerrados.
Después de encender el Mission™ RTK <sup>n</sup> , el botón de inicio se presiona, pero el Mission™ RTK <sup>n</sup> no funciona.	El Mission™ RTK <sup>n</sup> está fuera de la zona de trabajo.	Mueva al Mission™ RTK <sup>n</sup> dentro de la zona de trabajo.
	Mala señal de posicionamiento.	Busque un lugar abierto, espere a que la luz de la señal de posición se ponga verde y pulse el botón de inicio.
El Mission™ RTK <sup>n</sup> no emite una alarma cuando está fuera de la cerca georreferenciada.	El software del propio Mission™ RTK <sup>n</sup> no es el último.	Actualice el software del Mission™ RTK <sup>n</sup> .
	El Mission™ RTK <sup>n</sup> está apagado.	Encienda el Mission™ RTK <sup>n</sup> .
El Mission™ RTK <sup>n</sup> está ubicado en el medio del obstáculo.	Los obstáculos alrededor del Mission™ RTK <sup>n</sup> son relativamente pequeños, y el Mission™ RTK <sup>n</sup> no puede salir del problema.	Establezca como No accesible la zona donde el Mission™ RTK <sup>n</sup> queda fácilmente atrapado.
	El sensor del Mission™ RTK <sup>n</sup> no está normal.	Detecte la página de diagnóstico del Mission™ RTK <sup>n</sup> en la aplicación y verifique el estado del sensor.
No puede leer el registro.	El formato del disco U no es <b>FAT32</b> .	Convierta el formato del disco U a <b>FAT32</b> .
El Mission™ RTK <sup>n</sup> se ha ubicado alrededor de la pared y no se puede arrancar, y la luz de posicionamiento está siempre en rojo.	El Mission™ RTK <sup>n</sup> funciona en la zona sombreada por demasiado tiempo, y activó la protección de seguridad.	Intente evitar que el Mission™ RTK <sup>n</sup> corte césped en zonas con demasiada sombra.
	Hay demasiadas paredes o árboles en la zona, que bloquean la señal de posicionamiento.	











# MISION™

[www.kress-robotik.com](http://www.kress-robotik.com)